

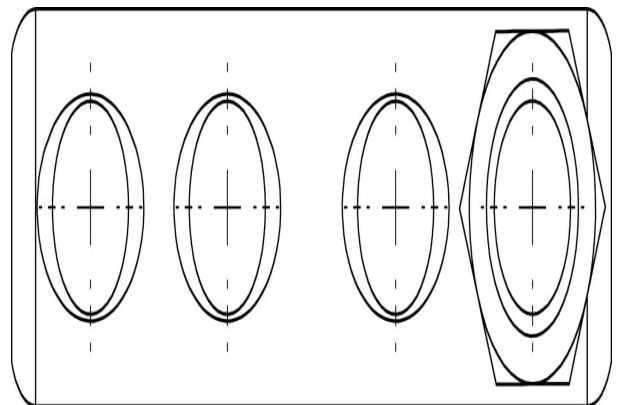
Shearbolt connectors 10 - 630 mm<sup>2</sup> (reversible screw)

# SC95R95S

- shearbolt material: brass, for minimum friction
- reversible shear-off shearbolts
- voltage range: 1-36 kV
- with partition wall
- meets the requirements of IEC standard 61238-1:2003



Shearbolt connector 1 -36 kV suitable for both Al and Cu at class 1 and class 2 cable. Round cable 50-95 mm<sup>2</sup>, sector shaped cable 50-95 mm<sup>2</sup>. When splicing screen conductors 16-57 mm<sup>2</sup>, filler piece SC95N/PEN is used for splicing the copper screen of the cable.



Item number: **7320-011100**  
EAN: **7393487037847**

d (mm): **16**  
D (mm): **27,0**  
L (mm): **114**  
s (mm) - strip length: **58**

Max voltage (kV): **1-36**

Screen conductor (mm<sup>2</sup>): **70-95**  
Screen conductor (with filling piece), Min (mm<sup>2</sup>): **16-57 (SC95N/PEN)**  
Screen conductor (with filling piece), Max (mm<sup>2</sup>): **16-57 (SC95N/PEN)**  
Cable type Round (mm<sup>2</sup>): **50-95**  
Cable type Sector (mm<sup>2</sup>): **50-95**

