



comercial@delvalle.es | www.delvallebox.com

# PUSH-BUTTON AND JUNCTION STAINLESS STEEL BOX

## GEO SERIES IP66



STAINLESS  
ANTICORROSIVE  
GUARANTEE



MECHANICAL PARTS  
GUARANTEE





## WE PUT AT YOUR DISPOSAL

We offer over **45 years** providing solutions to demanding customers who require very specific characteristics and behaviour according to the sector and their needs.

## WHEREVER YOU GO

We are committed to working closely with our customers, providing them with **exceptional service** and offering an advanced and extensive range of products with very competitive prices.

## HIGH STANDARD OF QUALITY AND SERVICES

We only use materials provided by companies who offer the very **highest quality**, suitable and certified products. Our success is due to top quality assurance: ISO 9001, SGS, UL, TÜV, ISO 14000 and Ohsas 18001.

## CUSTOMIZE TOTALLY YOUR ENCLOSURE

Our production systems can give custom-made solutions **on demand**. Every colour from RAL chart is available to be personalized. A variety of protection standards thanks to our own painting facilities.

## CONTACT US

Confidentiality, reliability & quality

www.delvallebox.com  
comercial@delvalle.es  
+34 945 601 381

ALSO ONLINE

Please contact our technical sales department

A team of professionals with high experience and ability to solve all your queries

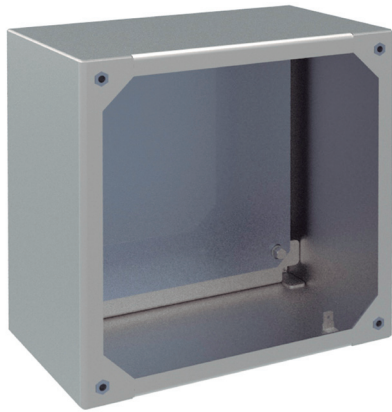


# PUSH-BUTTON AND JUNCTION STAINLESS STEEL BOX

## GEO SERIES IP66



Examples



### Strength, Durability and Long Life

Geo Series push-button and junction boxes, elegant watertight boxes made wholly in finely polished AISI 304L EN-14306 stainless steel available in plain or bored covers (22.5). Specially designed for placing push-buttons.

Offering a huge selection of configurations, sizes, styles and finishes, you are sure to find junction boxes to meet the demands of your installation.

➔ [FOR MORE INFORMATION CLICK HERE](#)



## APPLICATIONS

Especially designed and officially approved for food, chemical, pharmaceutical, transformer and telecommunication industries for use both inside and outside, due to the advantages of high resistance to chemical agents and durability.



## NORMATIVE

- IP55 or IP66 (W) Norm EN 62208 / EN 60529.
- DIN EN ISO 14159 Machine safety – hygiene requirements pertaining to the design of machinery.
- Machinery Directive 2006/42/EC. Food machinery and cosmetic or pharmaceutical production.
- EHEDG Guideline Hygienic Design doc. I.3 machinery for open processes.
- DIN EN 1672-2-2005 for food industry machinery.
- Maximum IK10 resistance Norm IEC 62208 and EN 50102.
- Manufactured following EU low voltage ruling 2014/35/UE.
- RoHS Directive 2011/65/UE compliant.
- UL approval Nema 4x, 12, 3r, 1. N° File E342220.
- Maximum voltage 1000V.
- Temperature resistant: -40°C +100°C (short time +160°C).
- Option silicone gasket: from -60°C to +180°C (short time up to +350°C)

## OPTIONS

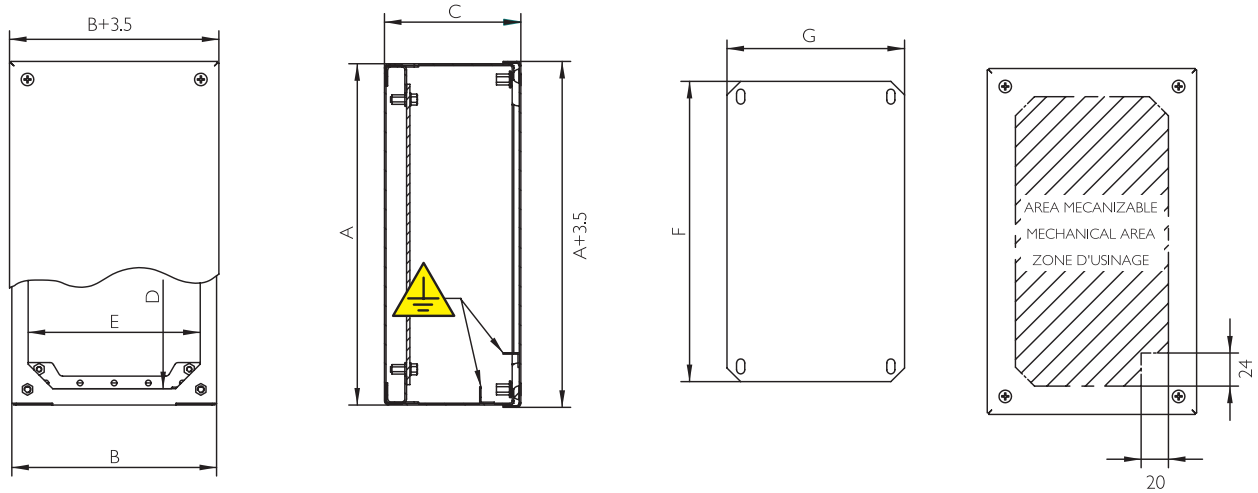
- Custom made based on your needs.
- IP67, IP68 and up to IP69K - DIN 40050-9.
- Manufactured in stainless steel AISI 316L EN 14404.
- Metal legs.
- Unloosable screws.
- Finished in textured paint RAL on request.
- Mounting plate insulator (bakelite) or painted steel.
- EMC version according to 2014/30/UE of electromagnetic compatibility.
- Option painted galvanized steel finish in RAL 7035 or another color.

## ADVANTAGES

- Strength, durability and long life.
- Special built to measure solutions.
- 100% stainless steel.
- Wide variety of accessories.
- Stainless steel AISI 304L or AISI 316L.
- Unlimited options.
- Supplied with protective film which prevents scratches and abrasions during handling.
- The manufacture of the stainless steel monobloc allows sealing and ensures maximum resistance.
- Water channel to prevent liquids coming into contact with the polyurethane seal and hidden hinges giving perfect sealing.
- Delvalle supplies any measurements required including custom built holes and cut outs both for the door and enclosure.
- Up to IP67 or IP69K.

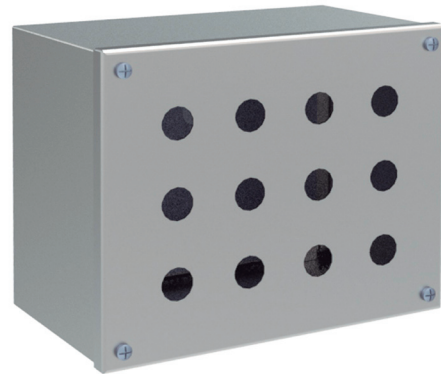
**PLAN**

CLICK HERE TO DOWNLOAD THE FILES CAD - PLANS - CERTIFICATES



**10 YEARS**  
STAINLESS ANTICORROSIVE GUARANTEE

**5 YEARS**  
MECHANICAL PARTS GUARANTEE



**REFERENCES**

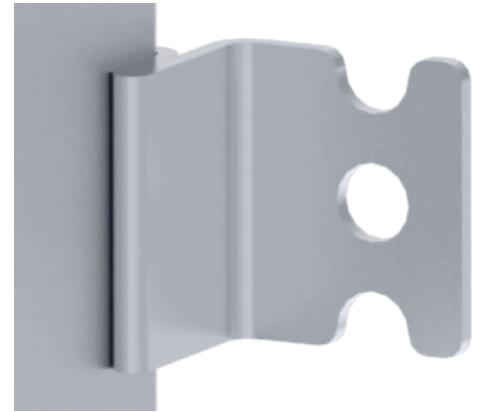
REFERENCES		COVER	DIMENSIONS (mm)							
BLIND COVER	PERFORATED COVER	N° HOLES	HIGH - A -	WIDTH - B -	DEPTH - C -	ACCESS - Dx E -	MACHINABLE AREA	PLATE MEASUR. - FxG -	WEIGHT (Kg)	VOLUME (m <sup>3</sup> )
MVCB909080	MVCB909080P	1	90	90	80	66x66	48x48	60x70	0,68	0,001
MVCB149080	MVCB149080P	2	140	90	80	116x66	98x48	110x70	0,92	0,001
MVCB209080	MVCB209080P	3	200	90	80	176x66	158x48	170x70	1,2	0,002
MVCB269012	MVCB269012P	4	260	90	120	236x66	218x48	230x70	1,75	0,004
MCVB289080	MCVB289080P	5	280	90	80	256x66	238x48	250x70	1,6	0,002
MVCB101612	MVCB101612P	3	100	160	120	76x136	58x118	70x140	1,29	0,003
MVCB161612	MVCB161612P	4	160	160	120	136x136	118x118	130x140	1,81	0,004
MVCB202012	MVCB202012P	6	200	200	120	176x176	158x158	170x180	2,53	0,006
MVCB202515	MVCB202515P	12	200	250	150	176x226	158x208	170x230	3,25	0,009
MVCB252515	MVCB252515P	16	250	250	150	226x226	208x208	220x230	3,87	0,012
MVCB203015	MVCB203015P	15	200	300	150	176x276	158x258	170x280	3,75	0,011
MVCB303015	MVCB303015P	25	300	300	150	276x276	258x258	270x280	5,16	0,016
MVCB304015	MVCB304015P	35	300	400	150	276x376	258x358	270x380	6,64	0,022
MVCB404015	MVCB404015P	49	400	400	150	376x376	358x358	370x380	8,41	0,028
Version: Normative UL			Add "UL" a la referencia Ej: "MVCB909080UL"							
Version IP67			Add "67" to the reference Ex: "MVAB30201567"							
Version IP69K			Add "69" to the reference Ex: "MVAB302015/69"							

## WALL MOUNTING BRACKETS

Wall brackets are connections that are attached to the enclosures to achieve either a vertical or horizontal position.

The form of the joint can vary according to the project requirements. The size and material of the bracket will depend on the characteristics of the enclosure being designed.

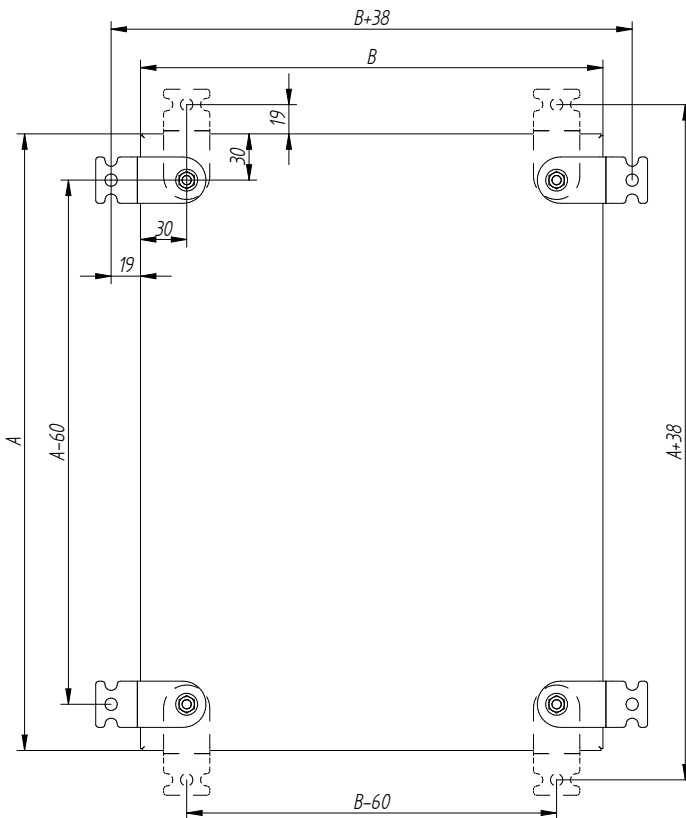
BRACKETS REFERENCE		
REFERENCE	MATERIAL	CONNECTION
MVSM02	INOX 304L	Bolt
MVSM08	GALVA	Bolt
MVSM05	INOX 316L	Bolt
MVSM11	INOX 304L	Welded
MVSM13	GALVA	Welded
MVSM12	INOX 316L	Welded



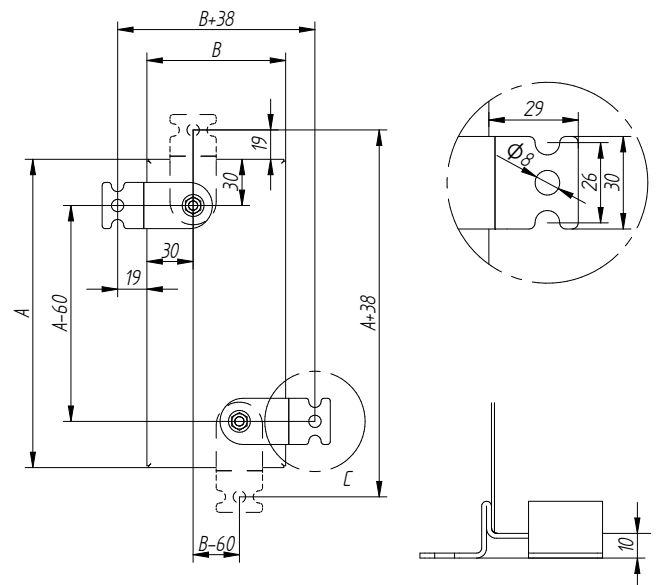
2 BRACKETS				
B	A	<200	=200	>200
<200		X	X	X
=200		X	X	
>200		X		

4 BRACKETS				
B	A	<200	=200	>200
<200				
=200				X
>200			X	X

4 BRACKETS



2 BRACKETS





**Consult us  
without obligation**

*Confidentiality, reliability & quality*

## DELVALLE OFFERS CUSTOMIZED SOLUTIONS

www.delvallebox.com  
comercial@delvalle.es  
+34 945 601 381

→ FOR MORE INFORMATION CLICK HERE

ALSO ONLINE

**STAINLESS STEEL  
INDUSTRIAL ENCLOSURES**



**OUTDOOR HEAVY DUTY  
ELECTRICAL ENCLOSURES**



**OUTDOOR TELECOM 19  
RACKS & CABINETS**



**GALVANIZED STEEL  
ELECTRICAL ENCLOSURES**



**HYGIENIC DESIGN ENCLOSURES**



**ALUMINIUM ELECTRICAL  
ENCLOSURES**



Phone +34 945 601 381  
comercial@delvalle.es | www.delvallebox.com

## DELVALLE OFFERS CUSTOMIZED SOLUTIONS

www.delvallebox.com  
comercial@delvalle.es  
+34 945 601 381

→ FOR MORE INFORMATION CLICK HERE

ALSO ONLINE

### WATERPROOF SHEET STEEL ELECTRICAL ENCLOSURES



### CLIMATE CONTROL COOLING FOR ELECTRICAL ENCLOSURES



### NEMA ELECTRICAL ENCLOSURE TYPE 1-3R-4X-12



### MODULAR DISTRIBUTION ENCLOSURES



### EMC ELECTRICAL ENCLOSURES SOLUTIONS



### CABLE GLANDS & ENTRY SEALS FOR CABINETS





Paso del Prao, 6. 01320 Oyón (Álava). Spain

T. +34 945 601 381

comercial@delvalle.es | [www.delvallebox.com](http://www.delvallebox.com)

Contact us, we will be available at any time

