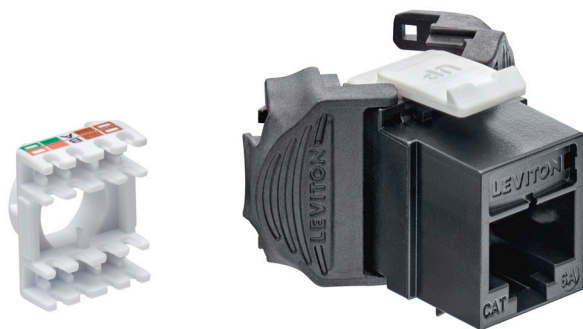


## AX0 Cat 6A UTP Jack

### APPLICATION

The AX0 Cat 6A UTP jack supports 10GBASE-T networks and is ideal for applications where additional Alien Crosstalk (AXT) suppression is required. The jack is designed to be used with a variety of Leviton modular panels, wallplates, surface-mount boxes, and other QUICKPORT™ compatible products.



### SPECIFICATION

The jack shall meet the requirements for channel and component-level electrical transmission performance as described in ANSI/TIA-568.2 (Cat 6A), ISO/IEC 11801-1 (Class E<sub>A</sub>), and EN 50173-1 (Class E<sub>A</sub>). The jack shall be compliant with ANSI/TIA-1096-A, c(UL)us Listed, and be independently verified for electrical transmission performance and power delivery. All plastics used in construction of jack bodies shall be fire retardant with a UL flammability rating of 94V-0. The jack doors shall be made of noise isolating polycarbonate to provide additional Alien Crosstalk (AXT) suppression. The jack shall support tool-free termination and re-termination and shall not require a specialized termination tool. The modular jack shall fit in a variety of telecommunications wallplates, outlets, and field-configurable patch panels and patch blocks. The jack wiring shall be universal to accommodate T568A and T568B wiring schemes. The jack shall be compatible with interchangeable icons. The jack shall be compliant with IEEE 802.3 PoE Type 1, 2, 3, 4 (100 watts max).

### WARRANTY INFORMATION

For Leviton product warranties, go to [Leviton.com/ns/support](http://Leviton.com/ns/support)

### FEATURES & BENEFITS

- Independently tested and guaranteed to meet component performance
- Supports tool-free termination/re-termination and requires no specialized termination tool
- Supports a wider range of applications (e.g. shallow boxes, enclosures, and bend radius)
- Jack doors – noise isolating polycarbonate to provide excellent Alien Crosstalk (AXT) suppression
- Terminates from 26 to 22 AWG solid or stranded conductors for use on various cable types
- Withstands 20 re-termination cycles
- Jack contacts are tested to exceed 750 plug-mating cycles to ensure system longevity
- Compatible with interchangeable icons
- Compatible with QUICKPORT™ modular panels, wallplates, and surface-mount boxes

### STANDARDS & REGULATIONS

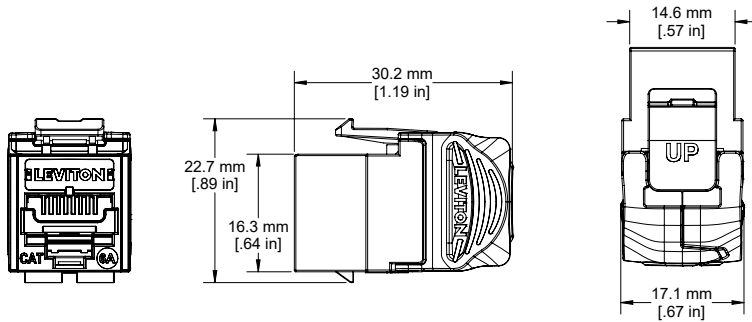
- ANSI/TIA-568.2
- ISO/IEC 11801-1
- EN 50173-1
- ANSI/TIA-1096-A (formerly FCC Part 68)
- IEC 60603-7 and -7-41
- IEC 60512-99-002
- IEEE 802.3 PoE Type 1, 2, 3, 4 (100 watts max)
- Cisco UPOE, UPOE+ (90 watts max)
- Power over HDBaseT™ PoH (95 watts max)
- c(UL)us Listed (UL1863)
- RoHS 3

### MECHANICAL SPECIFICATIONS

Dimensions:	See Page 2
Materials:	<b>Jack Body:</b> Polycarbonate <b>Jack Doors:</b> Noise isolating polycarbonate <b>Spring-Wire Contacts:</b> High-quality, copper-based alloy (phosphor bronze), plated with 50 microinches of gold over nickel plating for lowest contact resistance and maximum life
Temp. (Storage):	-40 °C to +70 °C (-40 °F to +158 °F)
Temp. (Installation):	Refer to cable installation temperature
Temp. (Operating):	-10 °C to +60 °C (+14 °F to +140 °F)
Humidity (Max.):	95% relative humidity, non-condensing

**PRODUCT SPECIFICATIONS**  
**AX6AU-GE6**

**AX6AU-GE6**



**PART NUMBER**

Description	Part No.
AX0 Cat 6A UTP Jack, black, 12-Pack	AX6AU-GE6

Icons (ICONS-ICx) can be ordered separately in 72-quantity packs.  
x = icon color



For further support information, visit [Leviton.com/ns/support](http://Leviton.com/ns/support)

Page 2 of 2

**USA**  
Network Solutions Headquarters  
+1 (800) 722 2082  
infoUSA@leviton.com  
  
BERK-TEK™ Cable  
+1 (800) 237 5835 | infoUSA@leviton.com

**Asia Pacific**  
+852 3620 2602  
infoAPAC@leviton.com

**Canada**  
+1 (800) 461 2002  
infoCanada@leviton.com

**Europe**  
+44 (0) 1592 772124  
infoEurope@leviton.com

**Latin America**  
MX: +52 (55) 2128 6286  
LATAM: +52 (55) 2333 5963  
infoLATAM@leviton.com

**Middle East & Africa**  
+971 (4) 247 9800  
infoMEA@leviton.com

NETWORK SOLUTIONS PRODUCTS ARE AVAILABLE WORLDWIDE IN OVER 100 COUNTRIES. VISIT US ONLINE AT [LEVITON.COM/NS](http://LEVITON.COM/NS) TO LEARN MORE.