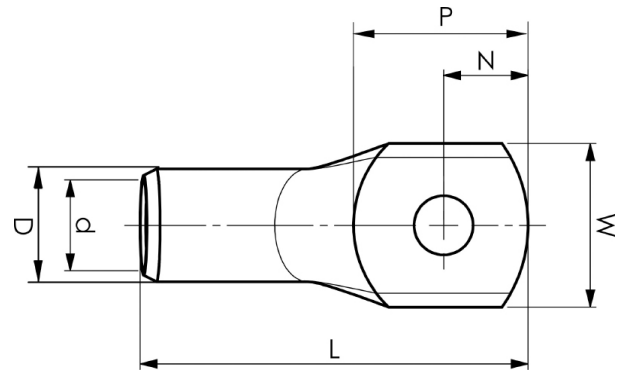


KRT tube terminals 10 - 500 mm<sup>2</sup>

# KRT150-16

- Material: Cu 99.95%, tin plated Cu/Sn.
- Inspection hole.
- For stranded (class 2) Cu conductors.



## Example of marking KRT: 16 (neck) Elpress logotype 70 10 (palm)

16 = Die No. 70 = mm<sup>2</sup> 10 = palm hole for M10

Tube terminal type KRT for stranded (class 2) Cu  
conductors, 150 mm<sup>2</sup>, with an M16 hole in the palm.

Used with Elpress certified systems V600, V1300 or  
V250.



Item number: **7301-278500**

EAN: **7393487007703**

W (mm): **32**

N (mm): **15**

N1 (mm): **16**

P (mm): **31**

d (mm): **17**

D (mm): **22**

L (mm): **76**

t (mm) - palm thickness: **4.9**

s (mm) - strip length: **30**

Screw: **M16**

Inspection hole: **Yes**

AWG/MCM Cu: **300 MCM**

mm<sup>2</sup> Cu: **150**