

Mounting material - PSD-S ME OB - 2700153

Please be informed that the data shown in this PDF Document is generated from our Online Catalog. Please find the complete data in the user's documentation. Our General Terms of Use for Downloads are valid (<http://phoenixcontact.com/download>)



Outlet box with lateral cable entry for floor and base mounting

Your advantages

- ✔ One-sided assembly for up to 5 signal elements

Key Commercial Data

Packing unit	1 pc
GTIN	
GTIN	4046356491440
Weight per Piece (excluding packing)	71.400 g
Custom tariff number	39269097
Country of origin	Germany

Technical data

Dimensions

Diameter	70 mm
Height	28.5 mm

Ambient conditions

Ambient temperature (operation)	-30 °C ... 60 °C
---------------------------------	------------------

General

Material	PA-GF
Color	black
Weight	73 g
Mounting position	any
Mounting type	Base mounting Tube mounting

Mounting material - PSD-S ME OB - 2700153

Technical data

General

Scope of delivery	4 x plastic screw 1 x cable threaded joint 1 x nut
-------------------	--

Connection data

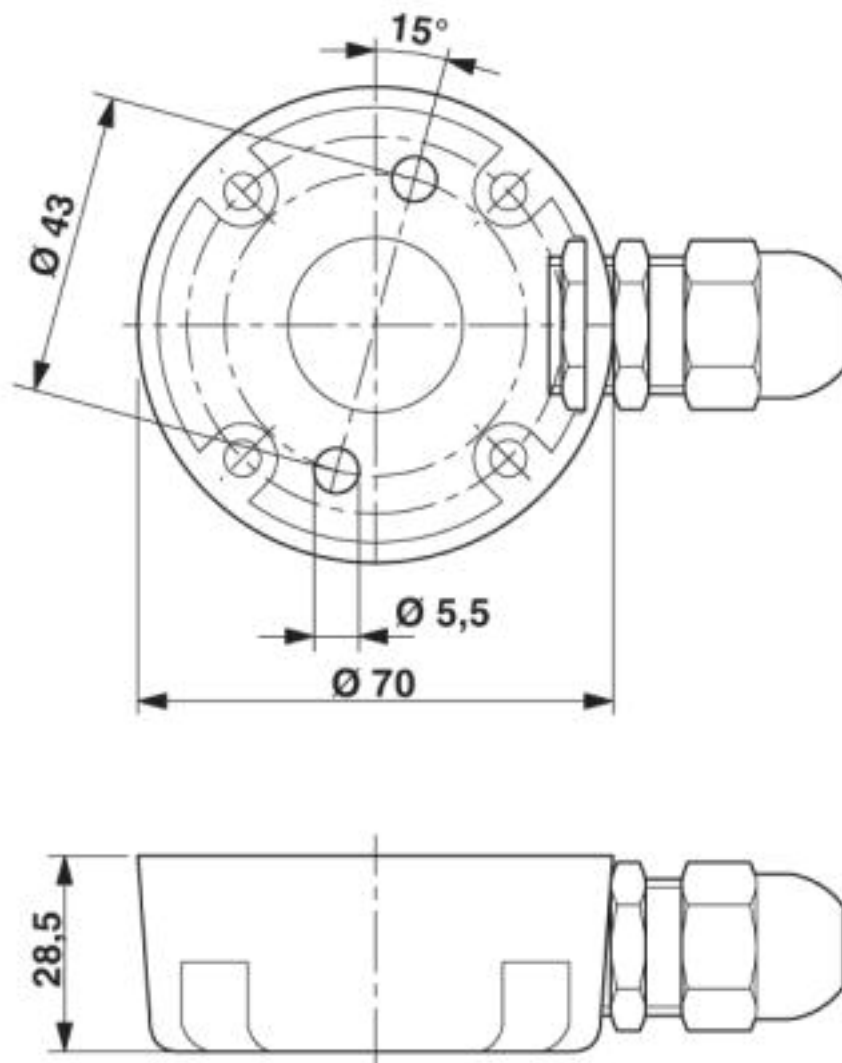
Connection method	Screw connection
-------------------	------------------

Environmental Product Compliance

China RoHS	Environmentally friendly use period: unlimited = EFUP-e
	No hazardous substances above threshold values

Drawings

Dimensional drawing



Mounting material - PSD-S ME OB - 2700153

Classifications

eCl@ss

eCl@ss 4.0	27143200
eCl@ss 4.1	27143200
eCl@ss 5.0	27371200
eCl@ss 5.1	27371200
eCl@ss 6.0	27371200
eCl@ss 7.0	27371232
eCl@ss 8.0	27371232
eCl@ss 9.0	27371232

ETIM

ETIM 3.0	EC001152
ETIM 4.0	EC001152
ETIM 5.0	EC001152
ETIM 6.0	EC001152
ETIM 7.0	EC001152

UNSPSC

UNSPSC 6.01	43172015
UNSPSC 7.0901	43201404
UNSPSC 11	39121311
UNSPSC 12.01	39121311
UNSPSC 13.2	39121311
UNSPSC 18.0	46171604
UNSPSC 19.0	46171604
UNSPSC 20.0	46171604
UNSPSC 21.0	46171604

Approvals

Approvals

Approvals


EAC / EAC

Ex Approvals

Approval details

Mounting material - PSD-S ME OB - 2700153

Approvals

EAC		EAC-Zulassung
-----	---	---------------

EAC		RU *- DE.A*30.B.00237
-----	---	--------------------------