

## Product Card

Junction box IP20, 59 x 79 mm, without connectors



# Junction box

Junction box IP20, 59 x 79 mm, without connectors

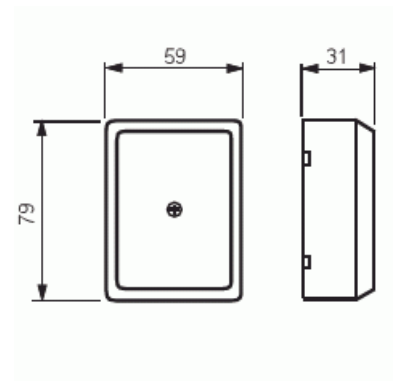


**Type:** AP12.1

**GTIN:** 6418677301452



Junction box IP20 without connectors



## Technical specification

### General Information

Product ID: 2TKA140005G1

### Classification

Enclosure class: IP20

### Colors

Colour: White

Colour code: RAL9003

# Product Card

Junction box IP20, 59 x 79 mm, without connectors



## Packing

Package:	10/50
Unit:	PCS

## ETIM Data

Shape:	Rectangular
Mounting method:	Universal
Mounting in the soil:	No
Mounting under water:	No
Inlet from the rear:	Yes
Length:	79 mm
Width:	59 mm
Depth:	79 mm
Tackable:	No
Number of inlets:	9
Material:	Plastic
Halogen free:	Yes
Surface protection:	Untreated
Colour:	White
Degree of protection (IP):	IP20
Cover model:	Blind cover
Transparent cover:	No
Cover attachment:	Screwed
Castable:	No
With casting compound:	No
Sealable:	No
Rated insulation voltage Ui:	230 V
With screening:	No
Weatherproof:	No
Operating temperature:	-15...60 °C
Explosion-tested version:	No