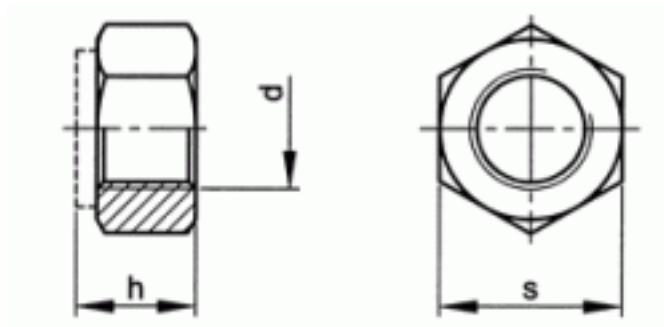


55730160001

D985 STNL A4 HX LCKNT W/INS M16



Brand	-
UBB Code	950355237377
UNSPSC Code	31161727
EAN Code	8715492352729
Driving features	hexagon
Thread	Metric thread
Material	Stainless steel
Material technical	A4



s	23
h	16
P	2
d	M16
Packaging (Piece )	20.0



Copyright Fabory Group