



LED

220
240 V
50-60 Hz

SDCM
3

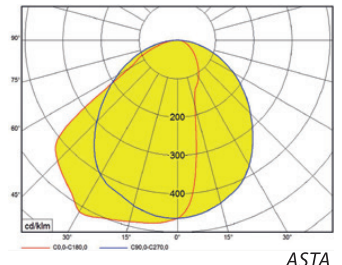
DIMM

IP
20

EN
62 471
RG 0

100 000
L70B50

η_{ef} (lm/W)
125-148



Asymmetric LED luminaires

Body:
White coated metal sheet.

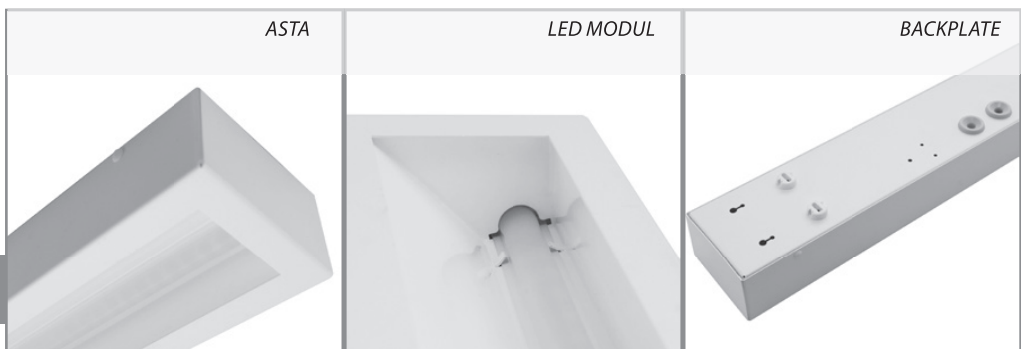
Optic:
AS - white coated asymmetric reflector

Application:
Surface or pendant installation.
Recessed installation into raster 600.
These LED fittings are recommended for school classrooms, shops, and for illumination of other vertical areas.

Accessories:
ZH/UNI2 - universal 2-wires suspension

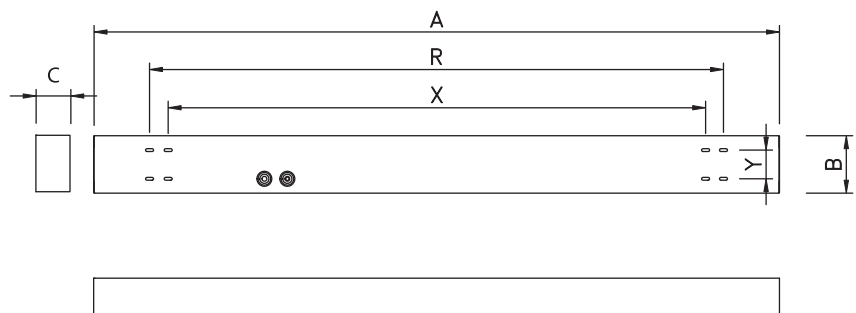
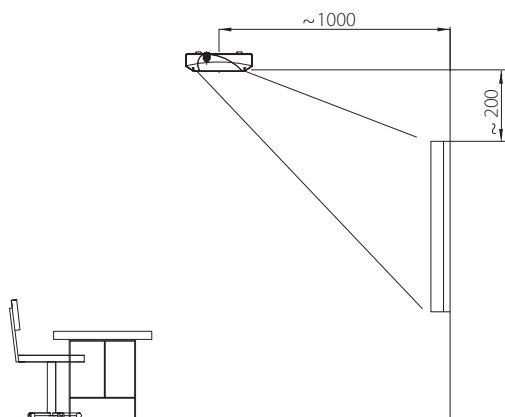
2200	2700	3000	4000	5700	6500	MIX	RGB	
✗	○	○	●	○	○	✗	✗	●
●	○	○	○	○	✗	✗	✗	✗

● default ○ optional ✗ not possible



Codes: ASTAP4000M3/ND

ASTA	P	4000	M	3	/ND
luminaire type	Assembly: P = surface, pendant	Light output (lm)	body length: S = 600 mm M = 1200 mm L = 1500 mm	Color temperature: 3 = 3000 K 4 = 4000 K	Driver type: ND - non-dimmable DALI - dimmable DALI



	W	lm	A	B	C	X	Y	R	kg
ASTAP2000S	16	2 000	595	100	60	460	50	500	1,8
ASTAP3000M	25	3 200	1 195						
ASTAP4000M	38	4 800	1 195						
ASTAP3000L	23	3 400	1 486	67	1 000	50	1 100	3,9	
ASTAP6000L	47	6 500							

lm - luminaire light output

Due to MODUS program of products development a data can be changed without notice. Luminous flux and connected electrical load are subject to an initial tolerance of up to +/- 10%. Color temperature is subject to a tolerance of up to +/-150 K from the nominal value. The failure of 1 LED points causes no functional impairment to the lighting performance of the luminaire and is therefore no reason for complaint.