

# PD-24 ECO

DALI-2 Input Device - Surface wiring black  
EAN 4007841 088224  
Article number 088224



Magnet zur einfachen Installation



Infrarot-Sensor 360°



Montagehöhe max. 4 m



Max. ø 24 m



Präsenz Ø 7,5 m



IP54



DALI-2

Teach

Teach mode

5 years

Herstellergarantie steinel-professional.de/garantie



CE

## Function description

Motion detection, presence detection and light measurement for offices, meeting rooms, passageways and more – the 360° IR presence detectors are sensNORM-compliant and ideal for sensor-based standard requirements in public buildings. With COM1, KNX and DALI-2 IPD interface. With COM1 interface, key input and fully/semi-automatic mode. Motion detection range: Ø 8 or Ø 24 m. Presence detector function with Ø 6 or Ø 7.5 m detection zone. Includes insertable cover caps in a matching colour. For concealed wiring, surface mounting and recessed ceiling installation. Configuration and operation via Smart Remote control or potentiometer. Installation-friendly modular magnetic plug-in connection. LED feedback for safe commissioning. Mounting height max. 4 m. Parallel switching (up to 10 sensors). Switching output: 2000 watt or 500 watt (LED). In black or white.

# PD-24 ECO

DALI-2 Input Device - Surface wiring black  
 EAN 4007841 088224  
 Article number 088224



## Technical specifications

|                            |   |
|----------------------------|---|
| Dimensions (Ø x H)         | 129 x 70 mm   |
| With motion detector       | Yes   |
| Manufacturer's Warranty    | 5 years   |
| Settings via               | Bus   |
| With remote control        | No  |
| Version                    | DALI-2 Input Device - Surface wiring black                            |
| PU1, EAN                   | 4007841088224   |
| Type                       | Motion and Presence Detector  |
| Application, place         | Indoors   |
| Application, room          | one-person office, function room / ancillary room, Indoors, warehouse |
| Colour                     | black   |
| Includes corner wall mount | No  |
| Installation site          | ceiling   |
| Installation               | Surface wiring, Ceiling   |
| IP-rating                  | IP54  |
| Ambient temperature        | -20 – 50 °C   |
| Material                   | Plastic   |
| Power supply, detail       | DALI bus  |
| Technology, sensors        | passive infrared, Light sensor  |

|  |  |
|--|--|
| Mounting height  | 2 – 4 m  |
| Mounting height max.   | 4,00 m   |
| Optimum mounting height  | 2,8 m  |
| Detection angle  | 360 °  |
| Capability of masking out individual segments                      | Yes  |
| Electronic scalability   | No   |
| Mechanical scalability   | No   |
| Reach, radial  | Ø 5.5 m (24 m <sup>2</sup> )   |
| Reach, tangential  | Ø 24 m (452 m <sup>2</sup> )   |
| Reach, presence  | Ø 7.5 m (44 m <sup>2</sup> )   |
| Switching zones  | 1436 switching zones   |
| Cover material   | shrouds  |
| Functions  | Motions sensor, Light sensor, Presence function, Presence detector logic |
| Type of interconnection  | Master/master  |
| Interconnection via  | Cable  |
| Max. Current consumption according to IEC 62386-101                | 84 mA  |
| Typical current consumption at 16V input voltage                   | 12 mA  |
| Max. Current consumption at 10V input voltage in regular operation | 17 mA  |

## Accessories

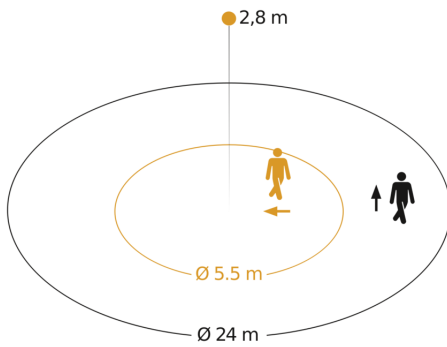
|                    |                             |
|--------------------|-----------------------------|
| EAN 4007841 079543 | Recessed adapter            |
| EAN 4007841 009151 | Remote control Smart Remote |
| EAN 4007841 592806 | User remote control RC5     |
| EAN 4007841 559410 | Service remote control RC8  |

# PD-24 ECO

DALI-2 Input Device - Surface wiring black  
EAN 4007841 088224  
Article number 088224

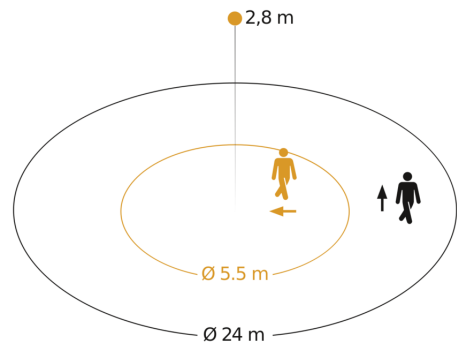


## Detection Zone 1



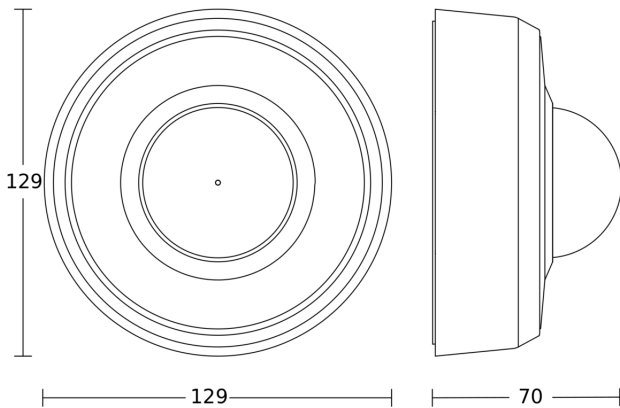
Possible mounting height: 2,00 m - 4,00 m  
Orange: radial  
Black: tangential

## Detection Zone 2

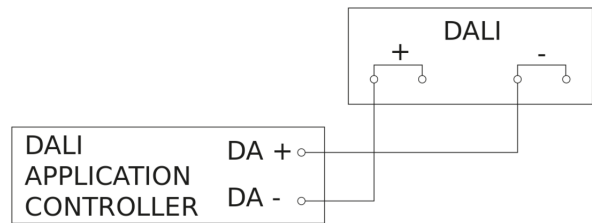


Possible mounting height: 2,00 m - 4,00 m  
Orange: radial  
Black: tangential

## Dimension Drawing



## Circuit diagram



# PD-24 ECO

DALI-2 Input Device - Surface wiring black  
EAN 4007841 088224  
Article number 088224



## Circuit diagram for interconnecting DALI-2 APC with DALI-2 IPD

