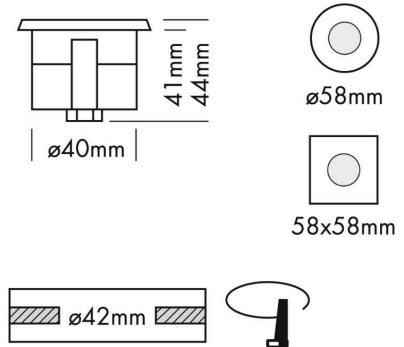


# Datasheet

PROLED INGROUND 1 THIN TRILED RGB

**PROLED**<sup>®</sup>

Article number: L17118RTC  
Article name: PROLED INGROUND 1 THIN TRILED RGB  
Article description: PROLED INGROUND 1RC THIN TRILED RGB  
GTIN: 4251158401942



picture similar

## Article description:

The PROLED INGROUND series is designed for floor integration and offers various design possibilities in architectural illumination.

- dimmable and controllable with suitable PWM dimmers or MULTI power supplies/controllers
- very low mounting depth
- driver (24 V # CCU) in separate metal box is included. Additional a 24 VDC switching power supply is required.

## Photometrical properties:

Light flux:	80 lm
Light flux red:	25 lm
Light flux green:	50 lm
Light flux blue:	10 lm
Color appearance:	RGB
Beam angle:	30 °

Date: 4.9.2024

Technical amendments and errors reserved.

**PROLED**<sup>®</sup>

MBN GmbH | Balthasar-Schaller-Str. 3 | 86616 Friedberg | Germany

Phone +49.821.60099-0 | Fax +49.821.60099-99

Central: info@proled.com | Internet: www.proled.com

Registered office of the company: Friedberg | Amtsgericht Augsburg HRB 19419 | Managing Director: Dr. Bernhard Steidl, Christian von Sassen

**Electrical properties:**

Voltage supply:	24 VDC
Polarity connection:	Common Cathode (CC)
Electrical safety class:	III
Power consumption:	3 W
Luminaire luminous efficacy:	27 lm/W
Control:	with separate controller

**Technical properties:**

Connection:	cable to open wires; 4 x 0.75 mm <sup>2</sup> ; 50 cm
IP safety class:	IP67 (for outdoor use)*
Adjustable:	not adjustable

\* Supply connector/end caps IP65 only if glued correctly.

**Housing and size:**

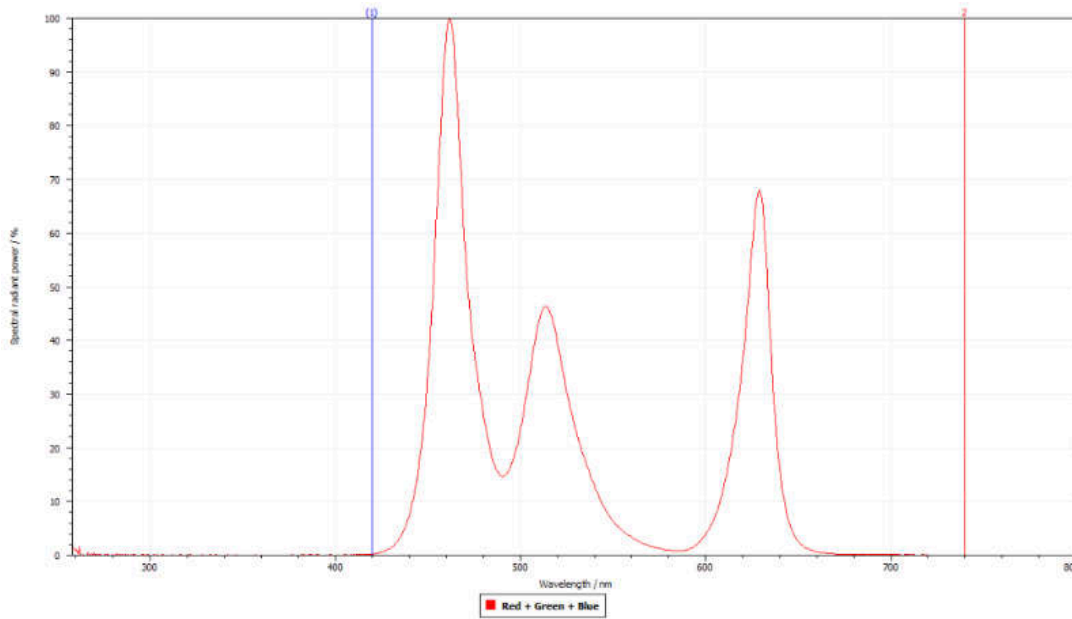
Size:	58 x 44 mm (d x h)
Housing colour:	silver
Shape:	round
Housing material:	Stainless steel
Housing surface:	shiny
Product weight:	0,300 kg

**Mounting instructions:**

For outdoor use:	✓
Mounting place:	Floor installation
Mounting type:	plugged
Installation dimensions:	42 x 50 mm (d x t)
Operating device:	excl. driver
Ambient temperature:	-10 °C to 45 °C
Average lifetime**:	50.000 h at L <sub>80</sub> /B <sub>10</sub>

\*\* With correct installation and suitable thermal management.

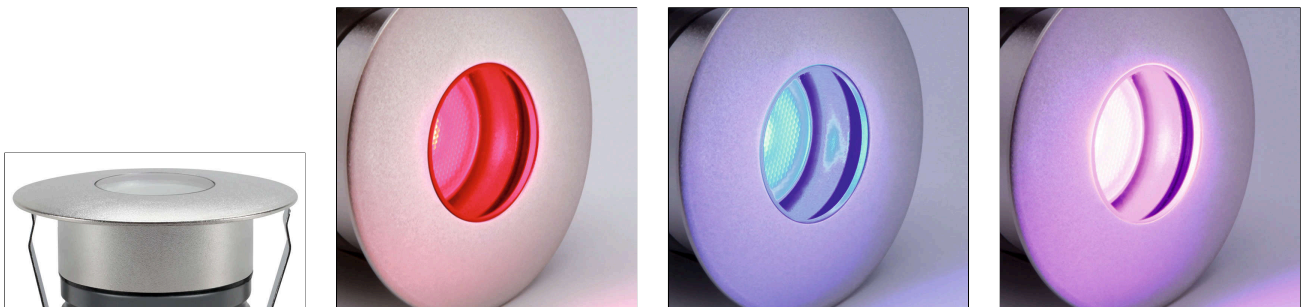
### Spectral distribution:



### Flags:



### Detail and realisation pictures:





### Information on the Ecodesign Directive:

This product counts as „containing product“ according to directive (EU) 2019/2020 and (EU) 2019/2015. The light source is part of the containing product. A separation of the light source and the containing product using commonly available tools is possible with this product. Replacement of the light source, using commonly available tools, is possible with this product. Replacement of the separate control gear, using commonly available tools, is possible with this product. The light source can be separated for testing purposes. Installation and commissioning may only be performed by qualified persons. National installation regulations must be observed.

Luminaire must be disconnected from mains before any work.

