

# TORRE 100



## INDEX

Specifications	2
Options	2
Ledmodules	3
Drawings	4
Durability classes	7
CO2-storage	8
Downloads	8

## SPECIFICATIONS

- **IP rating:** IP54
- **Size:** 100x100 mm
- **Power per LED module:** 3.6 watt
- **Lumen output per LED module:**
  - 2.700K = 74 lm
  - 4.000K = 103 lm
  - amber = 32 lm
- **Colour fixture:** Gray RAL 7016
- **Lumen output per LED module:** Lumen output varies depending on the season and weather type.
- **Beam angle:** The LED module has a beam angle of 105 x 50 degrees.
- **Lifespan:** >100.000 H (L90,B10)
- **Lighting data:** LDT / IES files are available at [www.timberlab-solutions.com](http://www.timberlab-solutions.com) or in the Dialux library: <https://silver.dialux.com/timberlab>
- **BUG rating:** B0, U0, G0
- **CE marked**
- **Packaging:**

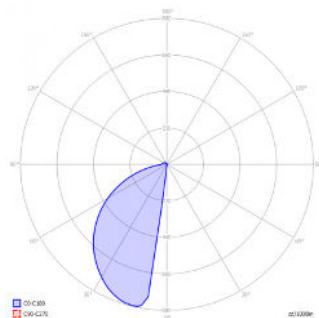
Pallet dimensions (L x W x H):	1500 x 800 x 1500 mm
Pack quantity per pallet:	98
Pallet weight (KG):	1500

## OPTIONS

- **Wood type:** Douglas fir (on base support only), oak, chestnut or Accoya
- **Certification:** FSC or PEFC
- **Light colour:** 2.200K, 2.700K, 4.000K, 3.000K/amber or amber (593nm)
- **Connection:** Available with or without cable (1m 3x1.5mm<sup>2</sup>). A 32mm hole is standard in the fixture for easy passage of your ground cable
- **Mast access door with triangular lock / with fuse box**
- **Powder coating of post holders**
- **Dynamic motion sensor**
- **Variations:** At Timberlab, each fixture is custom-made with care. In addition to the standard options, we are happy to help create variations tailored to your application. Feel free to contact our project advisors with any questions at [www.timberlab-solutions.com](http://www.timberlab-solutions.com).



## LEDMODULES

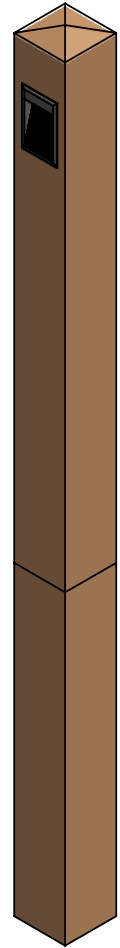
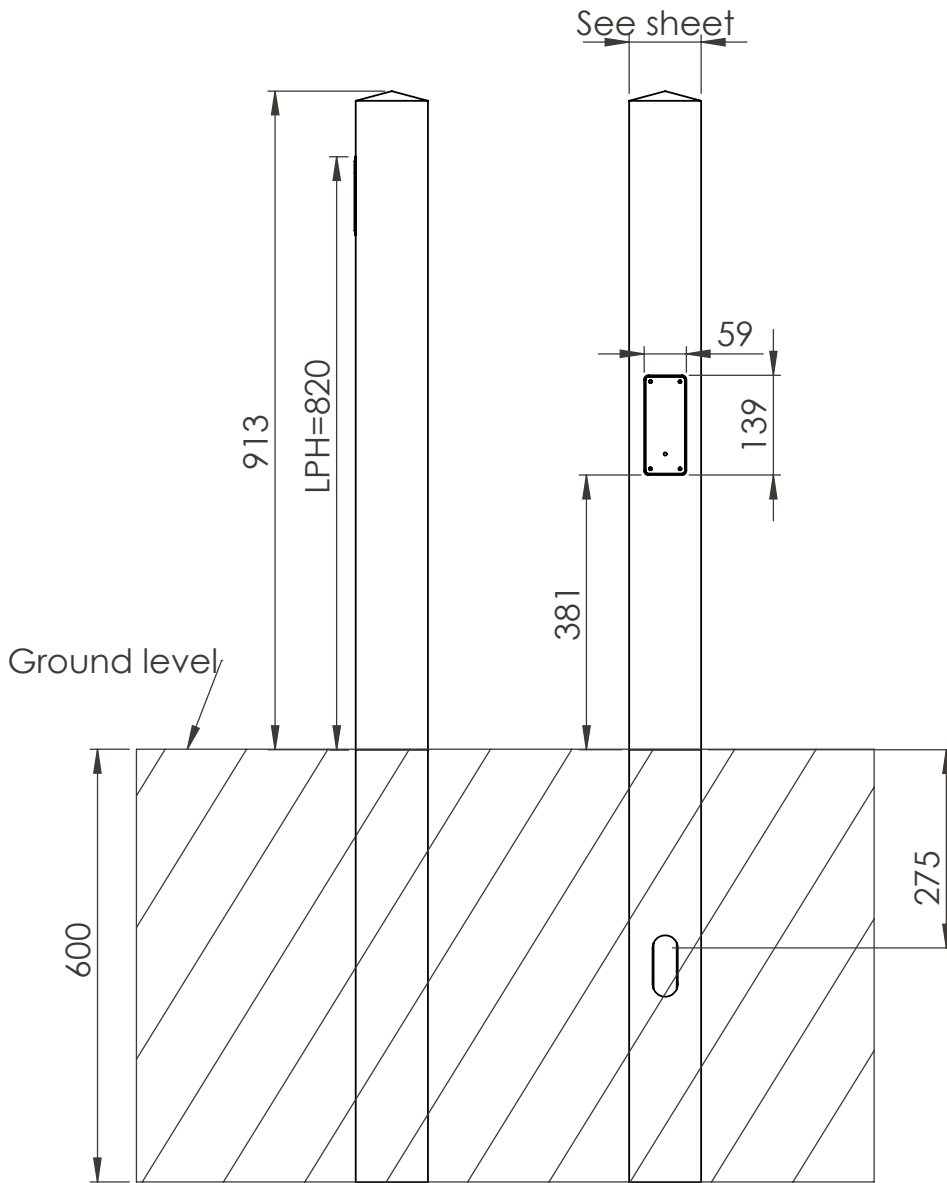


TBL wall module 2.700K

TBL wall module 4.000K

TBL wall module AMBER  
593 nm

Voltage (option)	230 VAC 12-24VAC/DC	230 VAC 12-24VAC/DC	230 VAC 12-24VAC/DC
Power	3.6W*	3.6W*	3.2W*
Capacity	0.39*	0.39*	0.37*
Lumen output	74 lm*	103 lm*	32 lm*
Efficiency	20 lm/W*	29 lm/W*	10 lm/W*
Light colour	2700K 2683K*	4000K 3981K*	AMBER x=0.5853 y=0.4043*
CRI	84*	72*	N/A
Dimmable	on request	on request	on request
Label	B	B	B
Protection	IP 54	IP 54	IP 54
Beam angle	105x50*	105x50*	105x50*
Number of LEDs per module	2	2	2
Operational temperature	-20...+50°C	-20...+50°C	-20...+50°C
Expected life span	100.000 hours	100.000 hours	100.000 hours
* Measured values			



Woodtype	Size
Oak	100 cm
Douglas	90 cm
Chestnut	100 cm
Accoya	90 cm

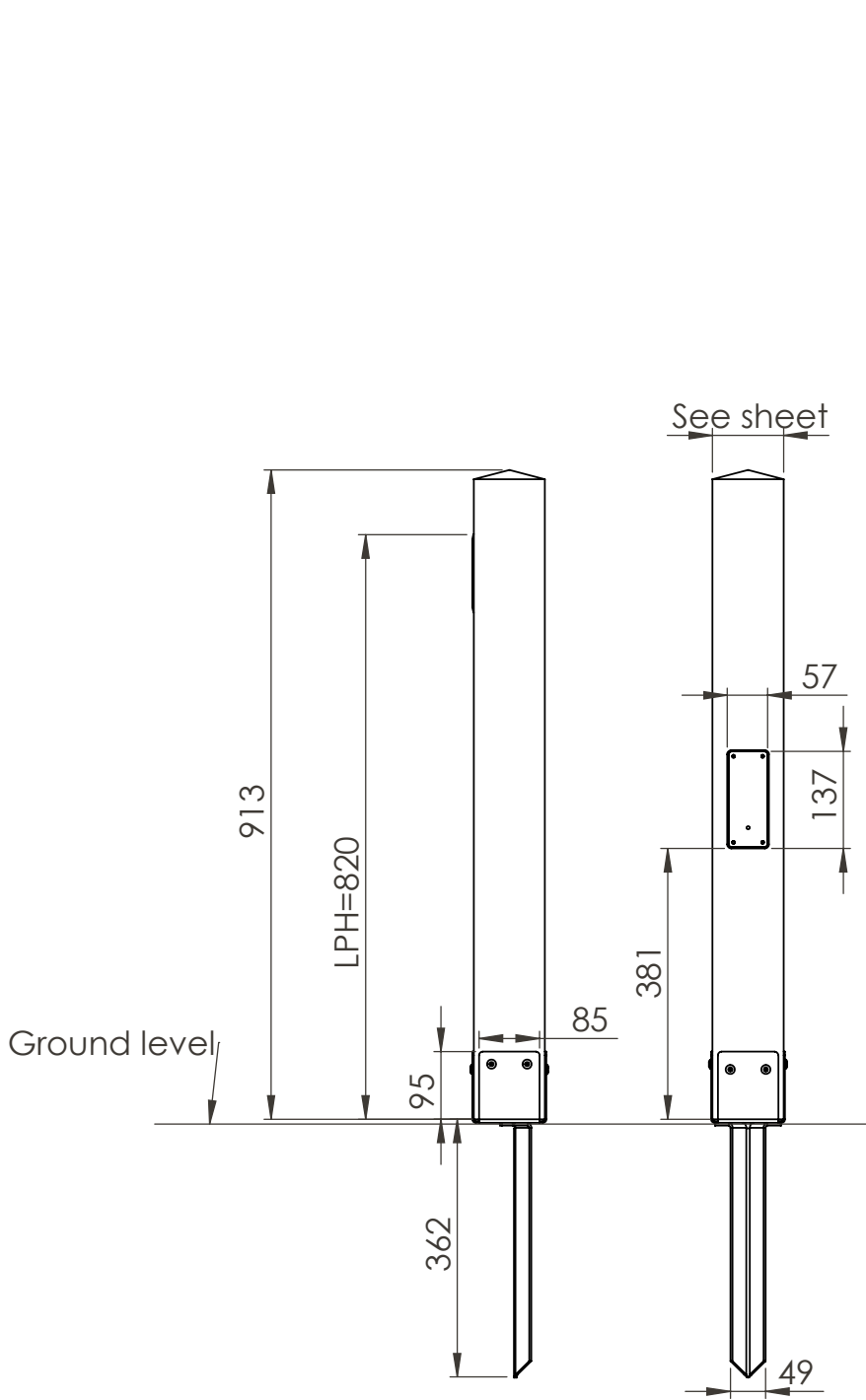
**timberlab**  
 Timberlab B.V. - Harskamperweg 32 - 6731AB Otterlo  
 The Netherlands T +31(0)318 943617 -

TITLE: TORRE 100 900+600 ingr

FILE: Production drawing REVISION A 30-10-2024

Drawn by: DR Checked by: TvD MATERIAL: A4

Scale: 1:10 SHEET 1 OF 1



Woodtype	Size
Oak	100 cm
Douglas	90 cm
Chestnut	100 cm
Accoya	90 cm

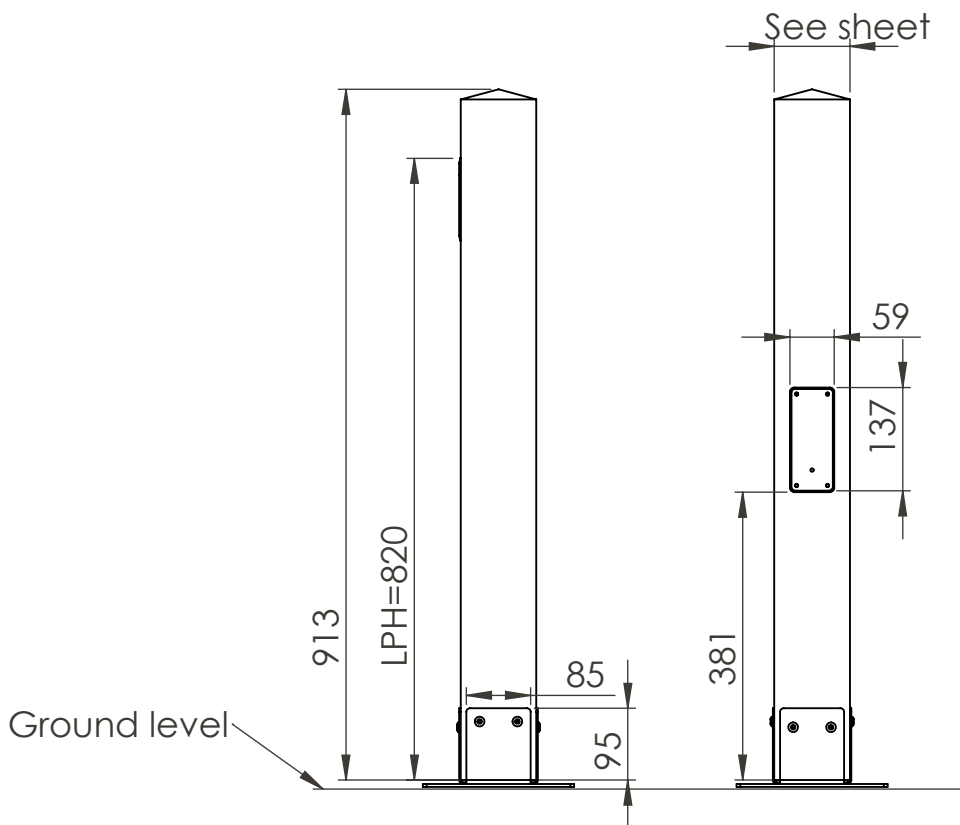
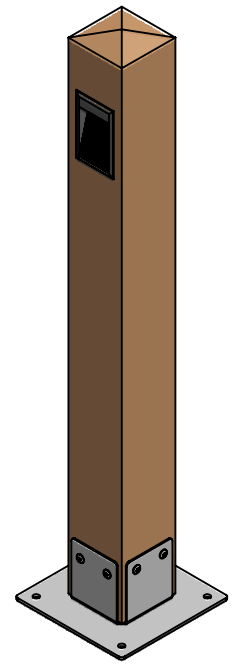
# timberlab

Timberlab B.V. - Harskamperweg 32 - 6731AB Otterlo  
The Netherlands T +31 (0)318 943617 -

TITLE: TORRE 100 PH03			
FILE: Production drawing		REVISION	A 31-10-2024
Drawn by:	Checked by:	MATERIAL:	
DR	TvD	A4	

Scale: 1:10

SHEET 1 OF 1



Woodtype	Size
Oak	100 cm
Douglas	90 cm
Chestnut	100 cm
Accoya	90 cm

# timberlab

Timberlab B.V. - Harskamperweg 32 - 6731 AB Otterlo  
The Netherlands T +31(0)318 943617 -

TITLE: TORRE 100 PH02			
FILE: Production drawing		REVISION A	31-10-2024
Drawn by: DR	Checked by: TvD	MATERIAL:	A4



The mark of responsible forestry

FSC®

The Forest Stewardship Council (FSC) is an international organization dedicated to global conservation and responsible forest management. FSC defines responsible forest management as the balanced consideration of ecological, social, and economic aspects associated with forestry.



PEFC™

PEFC is an international certification mark that guarantees wood and paper products originate from sustainably managed forests, ensuring the preservation of forest areas.

### DURABILITY CLASSES

Class	Lifespan	Wood species
I	>25 years	Accoya*, cumaru
II	15 – 25 years	Chestnut, oak
III	10 – 15 years	Douglas fir
IV	5 – 10 years	
V	< 5 years	

\* Accoya is guaranteed to last for over 50 years above ground and 25 years in ground or freshwater. For more information, visit [www.accoya.com](http://www.accoya.com).



## CO2-Storage

---

	Torre 100		Torre 100		Torre 100	
	ingr		PH03		PH04	
	Weight	CO2	Weight	CO2	Weight	CO2
Douglas fir	-	-	5 kg	8 kg	8 kg	18 kg
Chestnut	9 kg	14 kg	5 kg	8 kg	8 kg	19 kg
Oak	12 kg	18 kg	6 kg	10 kg	9 kg	23 kg
Accoya	9 kg	14 kg	5 kg	8 kg	8 kg	17 kg

## DOWNLOADS

For more information, visit <https://timberlab-solutions.com/> where you can find a manual, 3Ds file, and create a lighting plan with our Light Calculator.

The documents that can be downloaded are:

- Datasheet Smart Motion Sensor
- Manual

Other links are:

- Specification text
- Lighting plan

### Disclaimer

The information presented in this datasheet is carefully compiled by Timberlab with care and attention. Nevertheless, it is possible that the information published in the datasheet is incomplete and/or incorrect.

