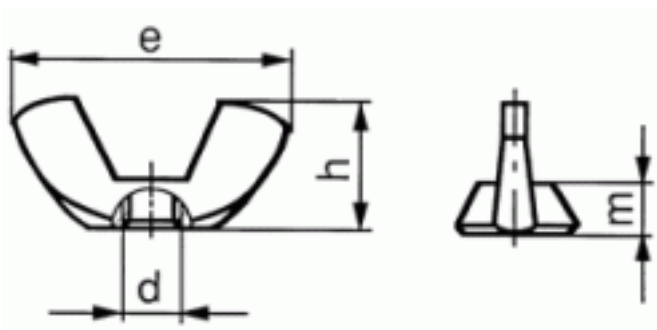


51810030001

STNL A2 WING NT LIGHT (AM) M3



| | |
|--------------------|-----------------|
| Brand | - |
| UBB Code | 950355229291 |
| UNSPSC Code | 31161717 |
| EAN Code | 8715492310484 |
| Driving features | wing |
| Thread | Metric thread |
| Material | Stainless steel |
| Material technical | A2 |



| | |
|--------------------|-------|
| h ≈ | 8,8 |
| e ≈ | 18,5 |
| m ≈ | 3 |
| P | 0,5 |
| d | M3 |
| Packaging (Piece) | 100.0 |



Copyright Fabory Group