


52103490	<b>DATA SHEET</b>	
Valid from: 30.09.2024	<b>SKINDICHT® HYGIENIC BL-M</b>	

The SKINDICHT® HYGIENIC BL-M is a high quality blind plug that is suitable for hygienic critical areas. The blind plug is used wherever already existing housing holes are not yet required or no longer required. The innovative hygienic design prevents food machines, facilities or components from risk of contamination. The blind plug is suitable for use in applications where mechanical and chemical stability to very aggressive media is required and offers quality and safety in food, pharmaceutical and chemical industry.



**Material:**

Blind plug    Stainless steel – V4A (1.4404 / 316L)  
Seal    Special elastomer – conform to FDA 21 CFR 177.2600

**Technical features:**

Connecting thread    M12x1.5 up to M40x1.5 in acc. to EN 60423  
Protection class    IP68 – 10 bar, test acc. to EN 60529  
    IP69 acc. to EN 60529  
Temperature range    -20 °C up to +220 °C

**Additional features:**

High functional safety  
Hygienic design  
Product zone (food)

**Color:**

Stainless steel  
Seal RAL 5015

**Approbation:**



**Reference standard:**


**DIN EN ISO 14 159**  
Safety of machinery – Hygiene requirements for the design of machinery  
**DIN EN 1672-2**  
Food processing machinery – Basic concepts – Part2: Hygiene requirements



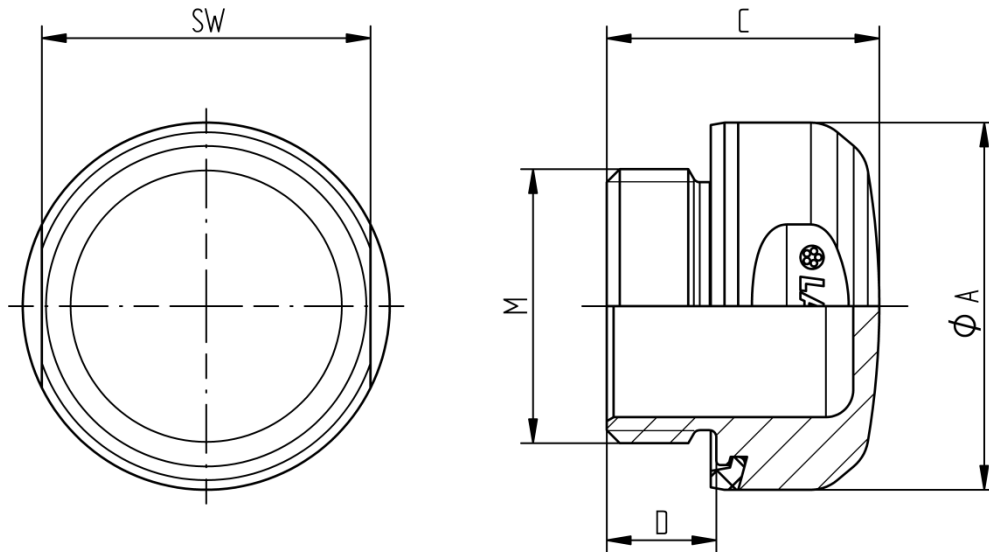
**Suitable accessories:**

SKINDICHT® SM-M INOX

Creator: MAU1/PDP Released: DAMU1/PDP	Document: DB52103490EN Version: 03	Page 1 of 2
--	---------------------------------------	-------------

52103490	<b>DATA SHEET</b>	
Valid from: 30.09.2024	<b>SKINDICHT® HYGIENIC BL-M</b>	

**Technical drawing:**



**Dimension table**

Article number	Article description	M	SW [mm]	Ø A [mm]	C [mm]	D [mm]
52103490	SKINDICHT HYGIENIC BL-M12x1,5	M12x1,5	16	18,8	16,9	6,5
52103491	SKINDICHT HYGIENIC BL-M16x1,5	M16x1,5	20	22,8	17,9	7
52103492	SKINDICHT HYGIENIC BL-M20x1,5	M20x1,5	24	26,8	19,9	8
52103493	SKINDICHT HYGIENIC BL-M25x1,5	M25x1,5	29	31,8	20,7	8
52103488	SKINDICHT HYGIENIC BL-M32x1,5	M32x1,5	36	39,6	22,5	9
52103489	SKINDICHT HYGIENIC BL-M40x1,5	M40x1,5	45	49	23,5	9

For more information please see our current catalogue. Please do not hesitate to contact our laboratory if there are any questions regarding resistance against aggressive agents and special oil.

Creator: MAU1/PDP Released: DAMU1/PDP	Document: DB52103490EN Version: 03	Page 2 of 2
--	---------------------------------------	-------------