

Pax Tango 540x700

Cat. Part	3707-3
Number	
EAN 13	7391477370738
SE EL (SEG)	9410558
SE VVS (RSK)	8754034
NO EL (EFO)	4910652
NO VVS (NRF)	6553177
FI VVS (LVI)	5280852
DK EL (DB)	2006570
DK VVS (VVS)	331162317
FI EL (SNRO)	8133259

- Design with straight lines

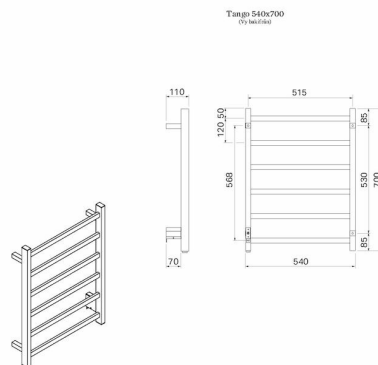
**Tango, stainless steel, 50W, width 540mm,
height 700mm**

Technical data

Installation type, wall, ceiling et.c	Wall
Max watt(W)	50
Supply Voltage (12V-400V)	230V AC
Electrical Supply Phase	1-Phase
Insulation Class	I skall skyddsjordas
Protection (IP)	IP 44
Unpackaged Product Width (mm)	540
Unpackaged Product Height (mm)	700
Unpackaged Product Depth (mm)	110
Material	Stainless Steel
Environmental Certificate	SundaHus, WEEE, REACH
Etim Code	EC003624



Measure sketch/CAD



Description

A timeless classic with an unmistakable look, with its high-quality square polished stainless steel tubes. The generous distance between the square tubes makes it easy to hang towels up so they dry freely.

On and off feature, 50W, width 540mm, height 700mm.
Concealed electrical installation.
Salsa is also available with Timer.
Accessories: Earthed cable plug.

Accessories



**Grounded cord
stand with plug**

Cat 8340-3



**Speed and
power
regulator**

Cat 8134