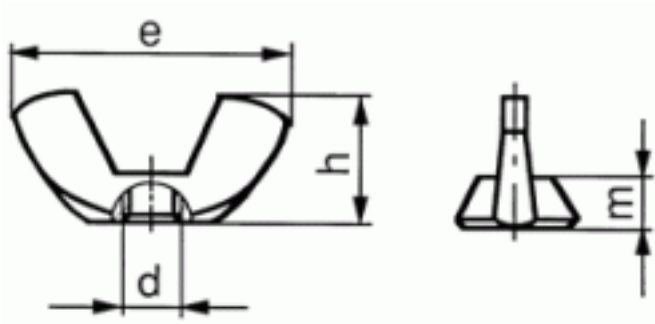


51810050001

STNL A2 WING NT LIGHT (AM) M5



Brand	-
UBB Code	950355229457
UNSPSC Code	31161717
EAN Code	8715492310507
Driving features	wing
Thread	Metric thread
Material	Stainless steel
Material technical	A2



h ≈	10,5
e ≈	22
m ≈	4
P	0,8
d	M5
Packaging (Piece )	100.0



Copyright Fabory Group