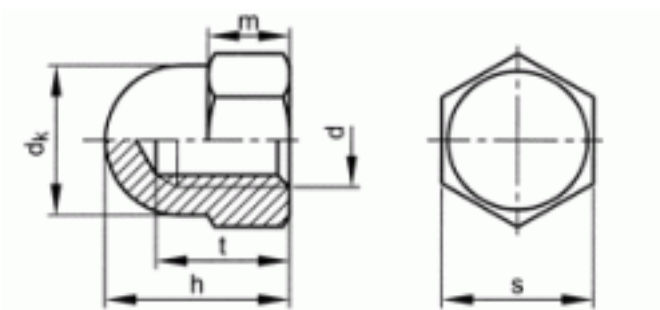


51400100001

D1587(1987) STNL A1 HX DOMED CAP NT M10



Brand	-
UBB Code	950355226149
UNSPSC Code	31161705
EAN Code	8715492285805
Driving features	hexagon
Thread	Metric thread
Material	Stainless steel
Material technical	A1
Class	50



t	13
dk (max.)	16
h	18
s	17
m (max.)	8
P	1,5
d	M10
Packaging (Piece)	50.0



Copyright Fabory Group