

# Isaro Pro

# THORN

V1\_99943547\_IP 60L66-740 WR BP-P1 C95CL2 ZU W15 L60E GY

LED 119W IP60L66-740WR	ISO 9223 C5		IP66	IK09		CE		T <sub>a</sub> 35
------------------------	----------------	--	------	------	--	----	--	-------------------

## Isaro Pro

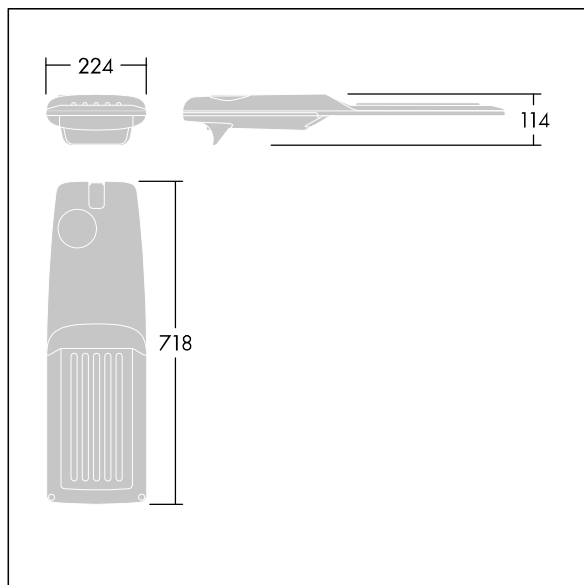
A state of the art LED road lighting lantern (medium) with 60 LEDs driven at 660mA with Wide Road optic. Programmable LED driver. Class II electrical, IP66, IK09. Housing: die-cast aluminium (EN AC-44300), powder coated textured light grey 150 (close to RAL9006). Spigot: die-cast aluminium (EN AC-44300), powder coated textured light grey 150 (close to RAL9006). Enclosure: 5mm thick glass. Fixings: stainless steel. Supplied with Ø60mm spigot adaptor which can be fitted for post-top (0°/5°/10°/15°/20° tilt) or side-entry (-15°/-10°/-5°/0°/5°/10°/15° tilt). Equipped with power reduction circuit. Complete with 4000K LED. Surge protection: 10kV single pulse common mode and 8kV multipulse common mode and 6kV multipulse differential mode. If permanent DALI system is connected, 6kV multipulse common and differential mode.

Dimensions: 718 x 224 x 114 mm  
Luminaire input power: 119 W  
Luminaire luminous flux: 17976 lm  
Luminaire efficacy: 151 lm/W  
Weight: 7.6 kg  
Scx: 0.066 m<sup>2</sup>

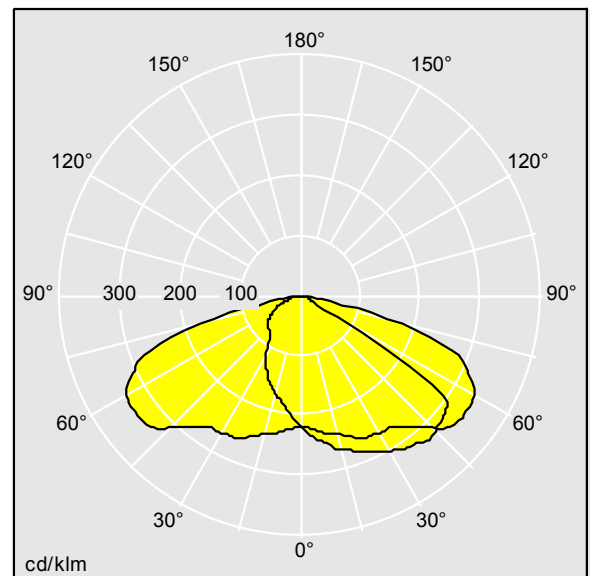
CLO, Zhaga UP, 15m cable, lateral mounted  
- dimming as follow :  
75% output from 20.00 to 22.00  
50% output from 22.00 to 05.00  
75% output from 05.00 to 06.00  
100% otherwise (from 15.00 to 10.00)



picture is for illustration



TLG\_ISRP\_M\_LD2.wmf



TL\_IP60L70WR740.lid

Lamp position: STD - standard  
Light Source: LED  
Luminaire luminous flux\*: 17976 lm  
Luminaire efficacy\*: 151 lm/W  
Lamp efficacy: 151 lm/W  
Colour Rendering Index min.: 70  
LOR: 1,00 ULOR: 0,00 DLOR: 1,00

Correlated colour temperature: 4000 Kelvin  
Chromaticity tolerance (initial MacAdam): 5 Rated  
useful life (B10)\*: L95 100000h at 25°C  
Luminaire input power\*: 119 W  
Power factor = 0.97 Dimming: PROG

All values marked with an \* are rated values. Thorn uses tried and tested components from leading suppliers, however there may be isolated instances of technology-related failures of individual LEDs during the rated product lifetime. International standards set the tolerance in initial flux and connected load at ±10%. Unless stated otherwise, the values apply to an ambient temperature of 25°C.

In most products the failure of one LED point causes no functional impairment to the lighting performance of the luminaire and is therefore no reason for complaint. Unless otherwise stated all Thorn LED products are suitable for unrestricted use (rated RG0 or RG1) with regard photobiological blue light safety (IEC/EN60598-1).

Thorn Lighting is constantly developing and improving its products. The right is reserved to change specifications without prior notification or public announcement.  
© Thorn Lighting