

Product Card

3-gang 1-way switch, Jussi, no X-terminals



Switch

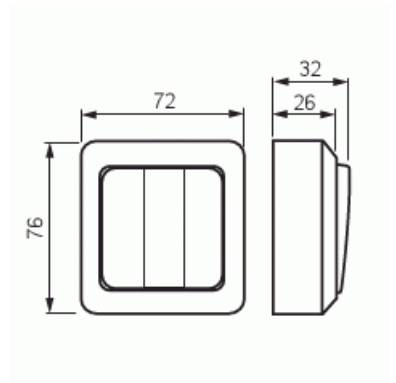
3-gang 1-way switch, Jussi, no X-terminals

Type: 10631A4

GTIN: 6418677307447



Surface mounting switch with screwless terminals and rocker with clip-on fastening. The terminals are for max 2 rigid wires.



Technical specification

General Information

Product ID: 2TKA000148G1

Electrical quantities

Rated current: 16 AX

Rated voltage: 250 V

Classification

Enclosure class: IP21

Product Card

3-gang 1-way switch, Jussi, no X-terminals



Packing

Package:	10/100
Unit:	PCS

ETIM Data

Wiring system:	Series switch
Method of operation:	Rocker/button
Assembly arrangement:	Basic element with complete housing
Push button switch:	No
Number of rockers:	2
Mounting method:	Surface mounted (plaster)
Type of fastening:	Screw mounting
With mounting plate:	No
Material:	Plastic
Material quality:	Thermoplastic
Halogen free:	Yes
Anti-bacterial treatment:	No
Surface protection:	Untreated
Surface finishing:	Matt
Colour:	White
RAL-number (similar):	9016
Label space/information surface:	No
Illumination:	No
Suitable for degree of protection (IP):	IP21
Nominal voltage:	250 V
Rated current:	16 A
Switching current for fluorescent lamps:	16 AX
Feedback-signal contact:	No
Washing machine switch:	No
Device width:	85 mm
Device height:	85 mm
Device depth:	33 mm
Built-in depth:	18 mm

Product Card

3-gang 1-way switch, Jussi, no X-terminals



Min. depth of built-in installation box:

18 mm
