



## 532045EX

### ATEX WATERTIGHT WALL-MOUNTING BLIND ENCLOSURE WITH LOW COVER IN THERMOSETTING MATERIAL 125x92x68 IP67



#### Product data

Code ELECTROCOD:	2303
Series:	TAIS-Ex
Insulation Class:	II
Min order quantity:	1
EAN code:	8014950009800
Weight:	0,362 KG

#### Reference standards and guidelines

Reference Standards:	EN 60529: 1997 + A1: 2000 EN 50014: 1997 + A1: 1999 + A2: 1999 EN 60079-15: 2003 EN 50281-1-1: 1998 + EC: 1999 + A1: 2002
----------------------	---

Marks:

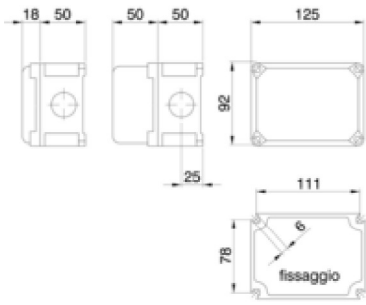


#### Attachments


Dimensional (format .PNG):

#### Technical data

ATEX application zone:	Zona/Zone 2 and 22
Atex Dust Class:	II 3D Ex tc IIIC T80°C Dc IP66
Atex Gas Class:	II 3G Ex nA IIC T4 Gc
Protection level:	IP67
External dimensions:	125X92X68
Customs code:	8536 69 90
Category of use ATEX DUST:	II 3D 85°C IP67
Category of use ATEX GAS:	II 3G EEx nR T6
Manufacturing Material:	Thermosetting
Height:	125
Base:	92
Dissipable Power:	12 W
Product Class:	ENCLOSURE
Cover Type:	Blind
Outfit:	Without mounting plates
Shape:	RECTANGULAR
Directive:	94/9/CE 2006/95/CE



---

DXF Drawing:  [532006\\_532045.dxf](#)