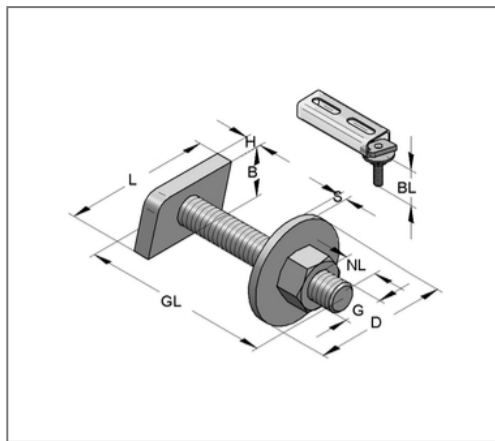
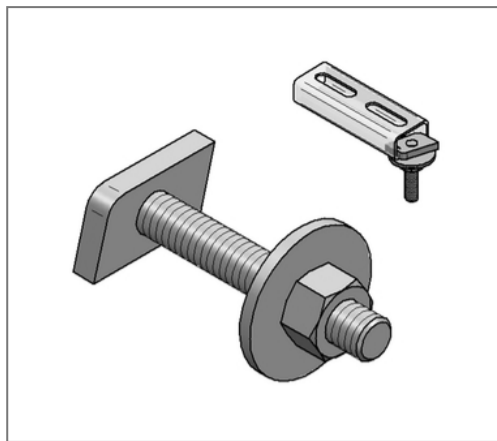


■ Hammer head C-profile 35 M10 x 40 mm



Commercial details

Part no.	0697560
EAN/GTIN	4250928415813
Packing unit	50 pcs
Price unit	100
Quantity unit	pcs
Weight	0,074 kg/pc
Product group	02-069

QR code



Technical data

Material	Steel
Material type	S235
Surface	galvanized

Specification

Application area	Direkte Befestigung von Rohrschellen an Montageschienen.
Profile type	35, Stex 35
Type of attachment	Für gleitfeste Verbindungen und Scherlochleibungsverbindungen mit MEFA-Montageschienen

Product details

Thread	M10
Length thread	40 mm
Overall length	32 mm
Width hammer head	18 mm
Diameter washer	35 mm
Length hammer head	35 mm
Thickness hammer head	6 mm
Thickness washer	3 mm