



SLC ONE SOFT R68-83 WH 600TED 927 IP44 36°

11.03.2021

SLC1124



Product description

One downlight for all applications! Deep recessed LED for low glare. For new and rehab projects. Can be mounted into insulation, up to the moisture barrier.

Quick and easy installation

We have always been thinking about electrician when developing our products. Focusing on solutions which is practical and easy for the installer. One 360° and OneSoft comes with a quick connector between the downlight and driver so you can easily detach the downlight from the driver. We also use quick connection boxes with strain relief and connection for tubes.

One downlight for indoor and outdoor use

We have created a downlight which is suitable for outdoor and indoor use. The downlight is not 100% water sealed, but it is resistant enough to be used outdoors (IP44).

Perfect for rehab projects

We created a downlight for all existing cut-out holes from 68-83 mm. This, combined with a low installation height of just 46 mm, makes this downlight perfect for replacing old halogen downlights. You can also install these downlights directly into the insulation.

SLC OneSoft for new and rehab projects

Can be mounted into insulation, up to the moisture barrier

No installation box required

Deep recessed LED, low glare

Suitable for outside installation

Quick Connection

16 mm Cable/Tube connection



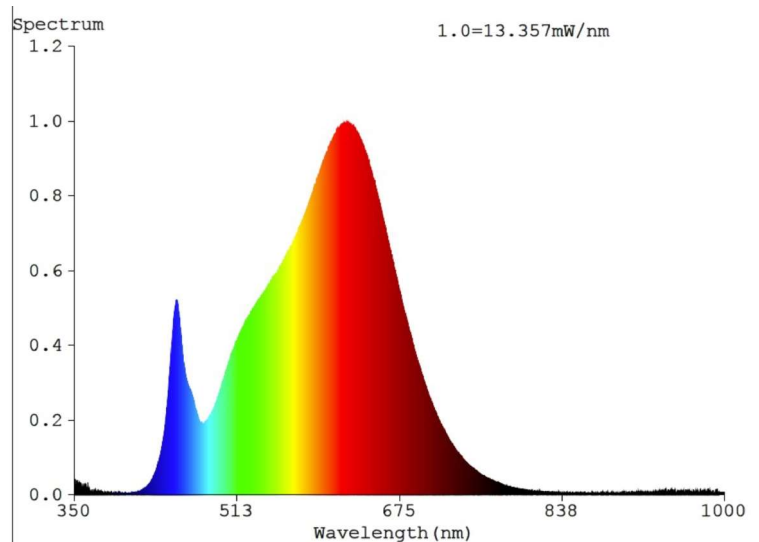
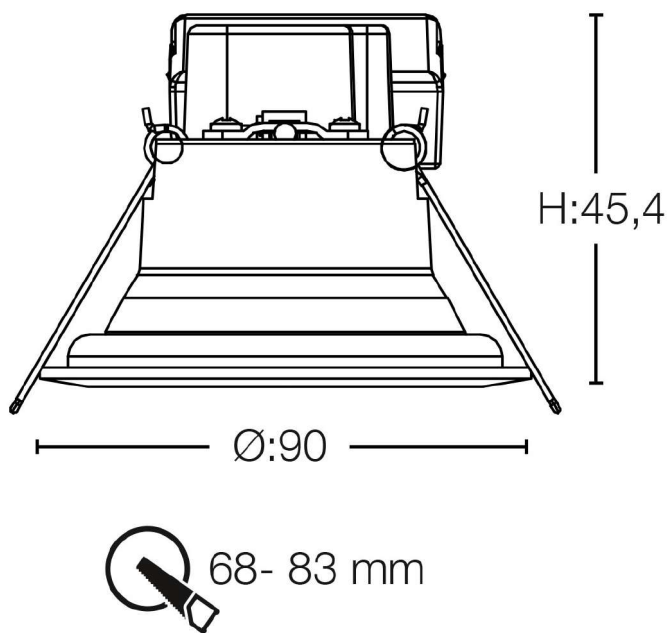
Tecnical data

Suitable for built-in mounting	Yes
Suitable for suspended mounting	No
Adjustability	Not adjustable
With light source	Yes
Surface protection	Powder coating

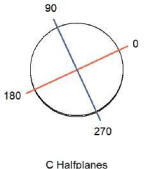
Suitable for wall mounting	No
Suitable for ceiling mounting	Yes
Lamp type	LED not exchangeable
Material housing	Aluminium
Colour housing	White

Material cover	Plastic, transparent
Voltage type	AC/DC
LED nominal current at constant current	180 - 180 mA
Control gear included	Yes
Dimming phase cut-off	Yes
Light distributor	Reflector
Beam angle	Medium beam 21-40°
Rated life time L80/B10 at 25 °C	50000 h
Protection class	II
Suitable for lamp power	8 - 8 W
Colour of light	White
Colour rendering index CRI	90-100
Rated luminous flux according to IEC 62722-	600 lm
Power factor	0,9
Outer diameter	90 mm
Built-in height/depth	46 mm
Type of wiring	Suitable for through wiring
Conductor cross section	0,35 mm ²
Connection type	Plug clamp
Strain relief	True
Beam angle (°)	36
Operating temperature	-10°C ~ +45°C
Cut-out hole (Ø: mm)	68-83
Dimmable	Yes
Dimming range	1-100%
GTIN	7070938061421
HS Code	94051040

Surface brushed	No
Nominal voltage	220 - 240 V
Type of control gear	LED operating device current-controlled
Dimming DALI	Yes
Reflector	High-gloss
Light sharing	Symmetric
Light outlet	Direct
Degree of protection (IP)	IP44
Rated ambient temperature according to IEC	-10 - 40 °C
Max. system power	8 W
Colour temperature	2700 - 2700 K
Luminous flux	600 - 600 lm
Lamp efficacy	75 lm/W
Height/depth	46 mm
Built-in width	67 mm
Built-in diameter	68 mm
Number of poles	3
Connectable conductor cross section	0,75 - 2,5 mm ²
Colour consistency (McAdam ellipse)	SDCM3
Colour rendering index (CRI/Ra)	90
Exterior color	White
Can be installed directly into the insulation	True
Dimming method	Trailing edge
Type of control signal	Trailing Edge
Brand	SLC
Produced by	The Light Group

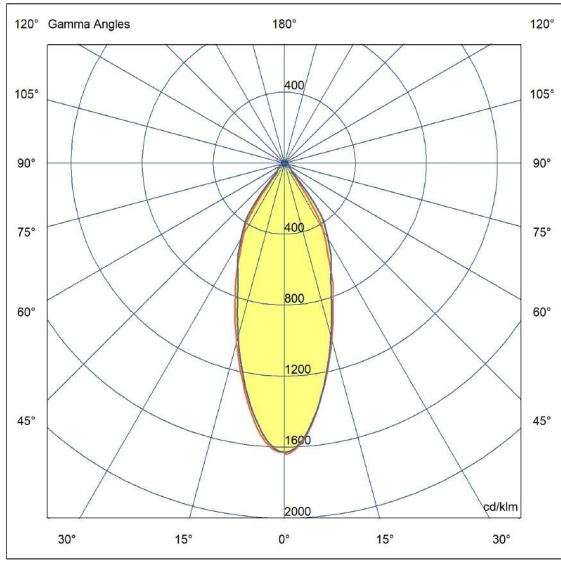


Diam=42mm



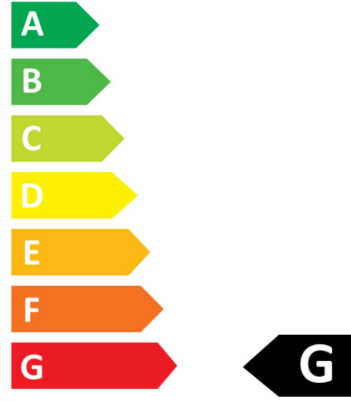
180.0 — 0.0
270.0 — 90.0

Flux 575 lm
Maximum 1640.01 cd/klm
Position C=0.00 G=0.00
Efficiency: 100.00%
Date: 10-08-2021
Asymmetrical



Scandinavian Lighting Concept

SLC1124



8
kWh/1000h



2019/2015