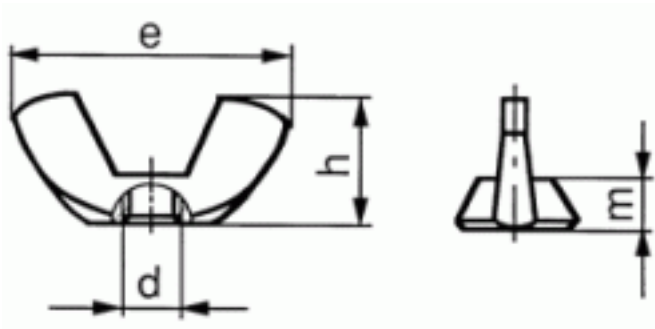


16250040001

ZPL CL.04 WING NT LIGHT (AM) M4



Brand	-
UBB Code	950355533387
UNSPSC Code	31161717
EAN Code	8715492590305
Thread	Metric thread
Class	04
Material	Steel
Surface treatment	Zinc plated
Driving features	wing



h ≈	8,8
e ≈	18,5
m ≈	3
P	0,7
d	M4
Packaging (Piece)	250.0



Copyright Fabory Group