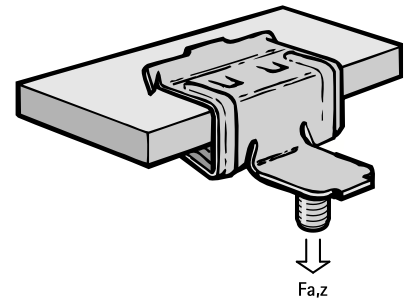
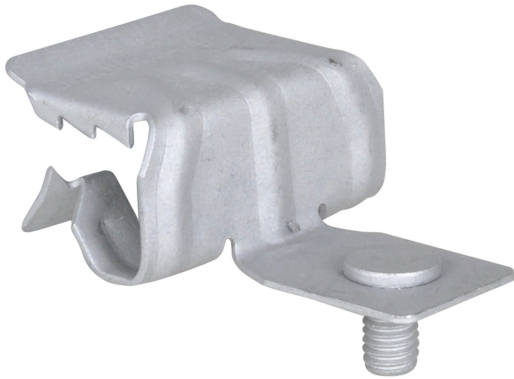


Britclips® FCHR M6 x 11

for flange 5 - 16 mm

(J 05 30)



Features and Benefits

- for a solid fixing to steel construction without the need for welding or drilling
- with stud bolt M6 x 11 mm for fixing of clamp, conduit junction box, etc.
- material: spring steel (type C67S according to EN10132)
- surface treatment: Delta-Tone 9000 (480 hours)

| Part No. | Code | A (mm) | F _{a,z} (N) | Pack 1 | Pack 2 |
|----------|--------------|-----------|-------------------------|--------|--------|
| 50521616 | FCHR14 M6x11 | 8 - 14 | 200 | 100 | 400 |

For use with static loads only.

