

# Plurio Retrofit Kit

# THORN

96800304 LE PLU 18L70 730 RS BP3550 CL2

LED 39W LEPLU18L70RS-730				T <sub>a</sub> -30 +25
--------------------------	--	--	--	---------------------------

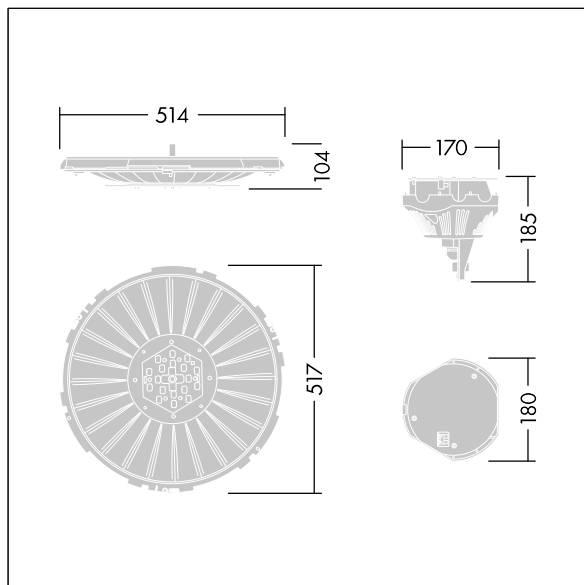
## Plurio Retrofit Kit

Refurbishment solution designed to deliver superior lighting performance, energy savings, and environmental responsibility. 18 LEDs driven at 700mA and a radially output symmetric optic. Class II electrical. Electronic, fixed output control gear. Body: plastic in white. Equipped with 50% power reduction circuit, effective 3 hours before and 5 hours after a calculated midnight. Complete with 3000K LED

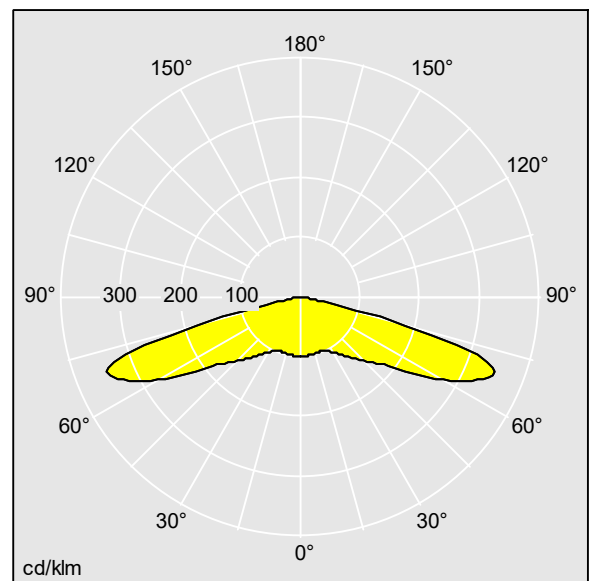
Dimensions: Ø517 x 104 mm  
Luminaire input power: 39.3 W  
Luminaire luminous flux: 4735 lm  
Luminaire efficacy: 120 lm/W  
Weight: 2.27 kg



TLG\_PLRL\_F\_Retrofit\_Kit\_1.jpg



TLG\_PLRL\_M\_Retrofit.wmf



TL\_LEPLU18L70RS730.idt

This product contains a light source of energy efficiency class D.

All values marked with an \* are rated values. Thorn uses tried and tested components from leading suppliers, however there may be isolated instances of technology-related failures of individual LEDs during the rated product lifetime. International standards set the tolerance in initial flux and connected load at  $\pm 10\%$ . Unless stated otherwise, the values apply to an ambient temperature of 25°C. Risk group

Thorn Lighting is constantly developing and improving its products. The right is reserved to change specifications without prior notification or public announcement.  
© Thorn Lighting