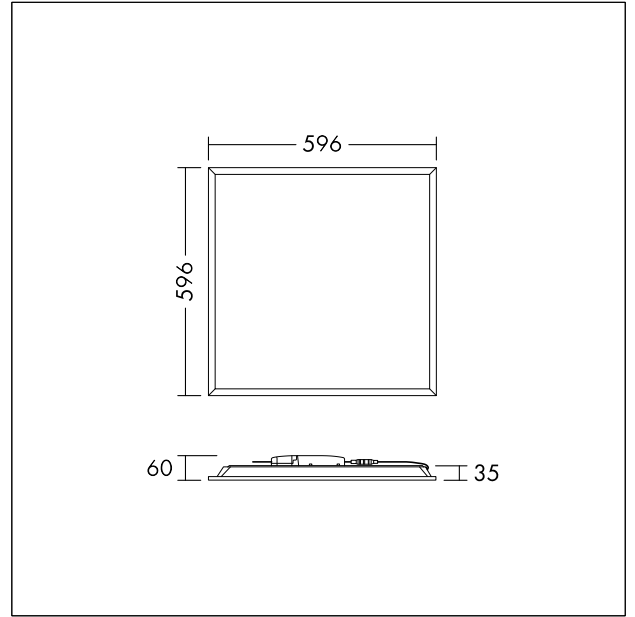


Recessed LED panel

LED Panel with opal homogenous light emitting surface. Easy to adjust tuneable lumen output and colour temperature switch located on the luminaire. Gentle, soft and glare-free lighting with UGR <19 for schools and offices, with UGR film made of TpB rated PC and PS diffuser for fully homogenous illumination, with aluminium frame. Total luminous flux: 4400 lm. Luminaire input power: 35 W. Luminaire Efficiency: up to 126 lm/W, correlated colour temperature (CCT) adjustable via switch for 3000K, 3500K or 4000K. Lifetime: 50.000hrs @L80, Colour Rendering: CRI > 80, Chromaticity tolerance (initial MacAdam): 4. Provided with detachable quick connector for easy installation and tool-free loop-in loop-out wiring and safety wire, Flicker free, Suitable for lay-in installation. Available accessories: Plug&Play Emergency kit for 3 hour emergency conversion (Self or Manualtest), surface and suspension mounting kits. Lumen package adjustable on site by 4 steps FLEX@4000K: (FLEX1 - 4400 lm (35W), FLEX2 - 4000 lm (31W), FLEX3 - 3750 lm (29W), FLEX4 - 3000 lm (23W). Detailed power setting information available on [www.THORNeco.com](http://www.THORNeco.com). Dimensions: 596 x 596 x 35 mm, weight: 1.97 kg



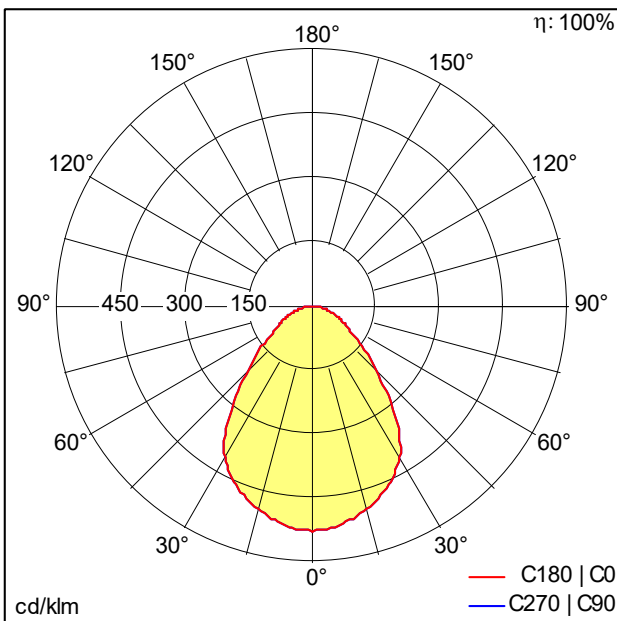
TE\_ANNA\_F\_600\_persp.jpg



TE\_ANNAVF2\_M\_Q596.wmf

Light Distribution

STD - standard



TE\_ANNA\_VF3\_Q596\_4400\_840\_FLEX1.idt

- Light Source: LED
- Luminaire luminous flux\*: 4400 lm
- Total emergency luminous flux: 490 lm
- Luminaire efficacy\*: 126 lm/W
- Colour Rendering Index min.: 80
- Correlated colour temperature\*: 3000-4000 Kelvin
- Chromaticity tolerance (initial MacAdam): 4
- Rated median useful life\*: L80 50000 h at 25 °C
- Ballast: 1x LED\_Con
- Luminaire input power\*: 35 W Power factor = 0.9
- Dimming: STEPS dimmable to 70%
- Maintenance category CIE 97: D - Enclosed IP2X
- Total harmonic distortion (THD): 15.00 %

All values marked with an \* are rated values. Connected electrical load and luminous flux are subject to an initial tolerance of +/- 10%, the most similar colour temperature is subject to an initial tolerance of +/- 150K. Unless stated otherwise, the values apply to an ambient temperature of 25°C.