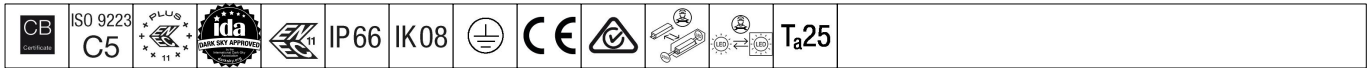


Plurio

THORN

93979138 PLD O 18L105-830 R/S BS 3550 T60 CL1 GY



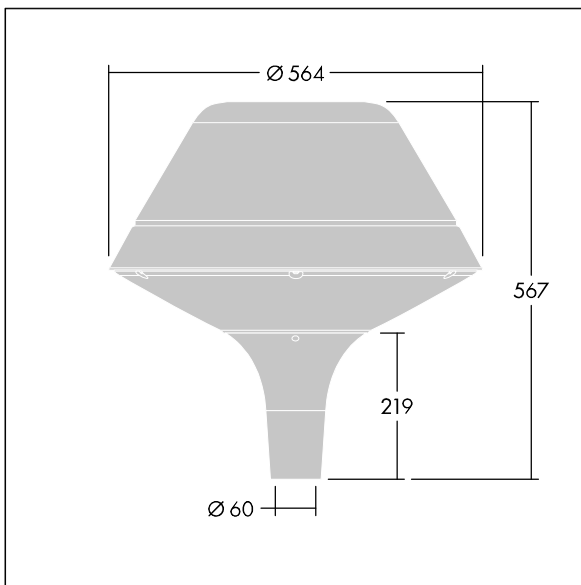
Plurio

Plurio Direct: A decorative post-top LED lantern with radially symmetric distribution. LED driver with 18 LEDs driven at 1050mA. Class I electrical, IP66, IK08. Base: cast aluminium, powder coated Grey (textured). Canopy: original shape, aluminium, textured silver-grey. Diffuser: UV stabilised, clear polycarbonate with anti-glare prisms. Direct, lens based optic with internal reflector. BSxyzz: Autonomous, physically disconnectable, bi-power reduction (x: hours before midnight, y: hours after midnight, zz: reduction (%)) Complete with 3000K LED. Post top mounting to Ø60mm column.

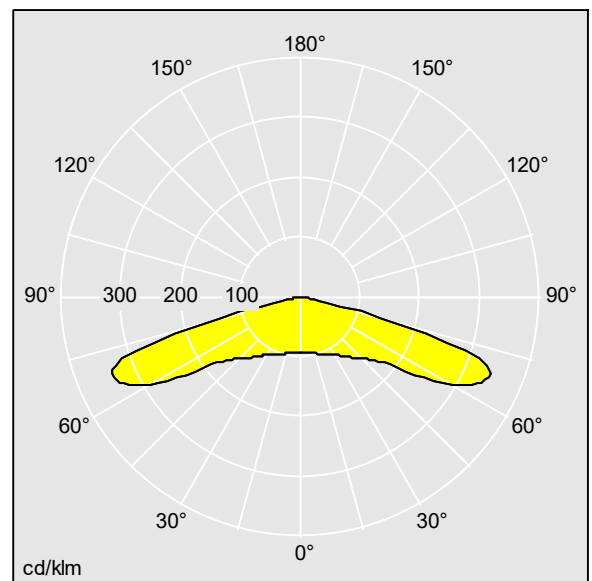
Upward lighting emissions below 1%.
Dimensions: Ø564 x 567 mm
Luminaire input power: 59.6 W
Luminaire luminous flux: 6028 lm
Luminaire efficacy: 101 lm/W
Weight: 9.5 kg
Scx: 0.199 m²



TLG_PLRL_F_DOC_GY.jpg



TLG_PLRL_M_DOC_T60.wmf



Light Source: LED
Luminaire luminous flux*: 6028 lm
Luminaire efficacy*: 101 lm/W
Colour Rendering Index min.: 80
Ballast: 1 x 28003161 LCO 60/200-1050/100 o4a NF
C EXC3

Correlated colour temperature*: 3000 Kelvin
Chromaticity tolerance (initial MacAdam): 5
Rated useful life (B10)*: L95 100000 h at 25 °C
Luminaire input power*: 59.6 W Power factor = 0.98
Dimming: BP2
LOR: 1,00 ULOR: 0,00 DLOR: 1,00

This product contains a light source of energy efficiency class D.

All values marked with an * are rated values. Thorn uses tried and tested components from leading suppliers, however there may be isolated instances of technology-related failures of individual LEDs during the rated product lifetime. International standards set the tolerance in initial flux and connected load at ±10%. Unless stated otherwise, the values apply to an ambient temperature of 25°C. Risk group

Thorn Lighting is constantly developing and improving its products. The right is reserved to change specifications without prior notification or public announcement.
© Thorn Lighting