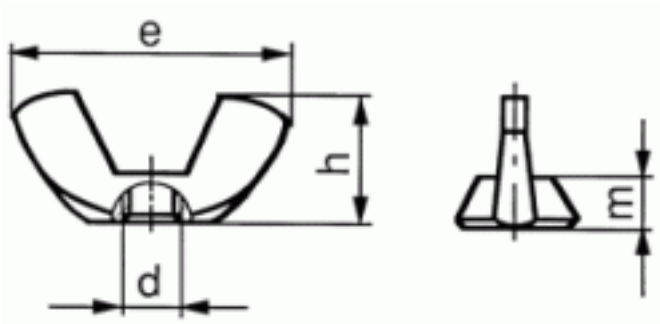


51810060001

STNL A2 WING NT LIGHT (AM) M6



Brand	-
UBB Code	950355229523
UNSPSC Code	31161717
EAN Code	8715492310514
Driving features	wing
Thread	Metric thread
Material	Stainless steel
Material technical	A2



h ≈	12,9
e ≈	26,8
m ≈	4,9
P	1
d	M6
Packaging (Piece)	50.0



Copyright Fabory Group