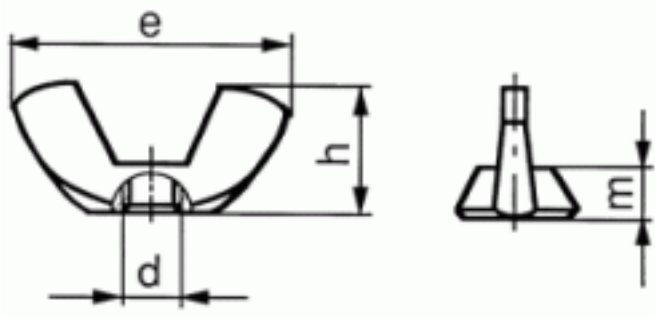


16250050001

ZPL CL.04 WING NT LIGHT (AM) M5



Brand	-
UBB Code	950355162518
UNSPSC Code	31161717
EAN Code	8715492590312
Thread	Metric thread
Class	04
Material	Steel
Surface treatment	Zinc plated
Driving features	wing



h ≈	10,5
e ≈	22
m ≈	4
P	0,8
d	M5
Packaging (Piece)	250.0



Copyright Fabory Group