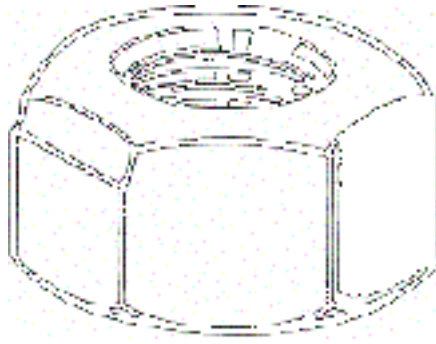
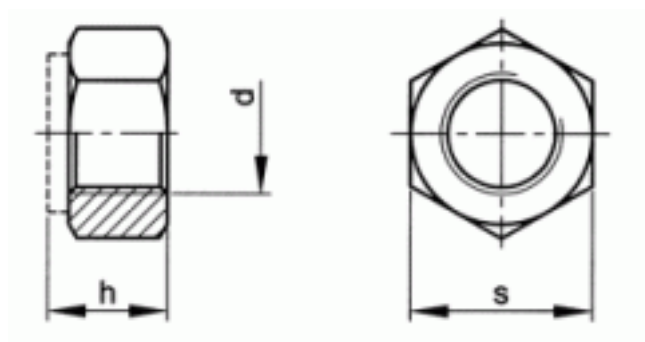


12910200001

D980V CL.10 ZPL HX LCKNT M20



Brand	-
UBB Code	950355618691
UNSPSC Code	31161727
EAN Code	8715492580214
Driving features	hexagon
Surface treatment	Zinc plated
Thread	Metric thread
Class	10
Material	Steel



s	30
h (max.)	20
P	2,5
d	M20
Packaging (Piece)	50.0



Copyright Fabory Group