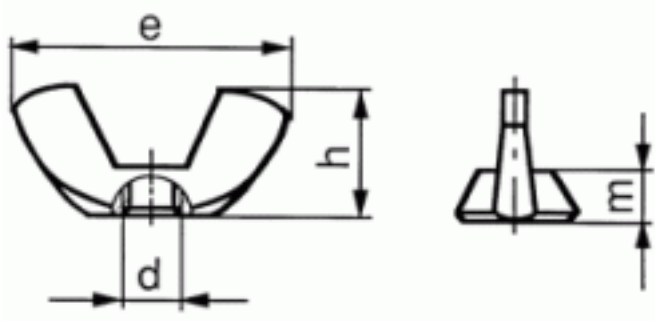


16250060001

ZPL CL.04 WING NT LIGHT (AM) M6



Brand	-
UBB Code	950355162690
UNSPSC Code	31161717
EAN Code	8715492590329
Thread	Metric thread
Class	04
Material	Steel
Surface treatment	Zinc plated
Driving features	wing



h ≈	12,9
e ≈	26,8
m ≈	4,9
P	1
d	M6
Packaging (Piece)	250.0



Copyright Fabory Group