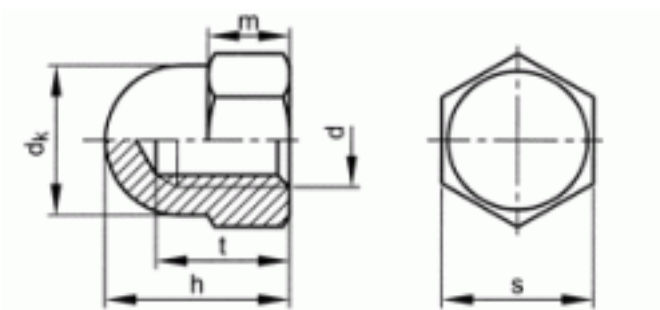


55400100001

D1587 STNL A4 HX DOMED CAP NT M10



Brand	-
UBB Code	950355560349
UNSPSC Code	31161705
EAN Code	8715492344335
Driving features	hexagon
Material	Stainless steel
Material technical	A4
Thread	Metric thread
Class	50



t	13
dk (max.)	16
h	18
s	17
m (max.)	8
P	1,5
d	M10
Packaging (Piece)	50.0



Copyright Fabory Group