

IR Quattro HD 24m

COM1 - surface black
 EAN 4007841 068615
 Article number 068615



Infrarot-Sensor
360°



Max. 8 x 8 m
Präsenz

HD

4800 Zonen

2000 W

2000 W Max. (LED-fähig)



Ideal 2,5 - 10 m



Innen-Bewegungsmelder

iQ

iQ-mode



Energie sparen

5 years

Herstellergarantie
steinel-
professional.de/
garantie



CE

Function description

Detection no finer! Infrared presence detector Presence Control PRO IR Quattro HD COM1 AP for indoors, ideal for medium to large-size offices, conference and meeting rooms, classrooms and lecture theatres, sports halls and warehouses, installation height up to 10 m, surface-mounting version for switching light 'ON' and 'OFF', 4800 switching zones for the ultimate in detection quality, presence detection over a true 64 m², square detection zone, mechanically scalable.

Technical specifications

Dimensions (L x W x H)	65 x 120 x 120 mm
Manufacturer's Warranty	5 years
Settings via	Remote control, DIP switches, Potentiometers, Smart Remote
With remote control	No
Version	COM1 - surface black
PU1, EAN	4007841068615
Type	Presence detector
Application, place	Indoors
Application, room	classroom, lecture hall, open-plan office, high-bay warehouse, production facilities, conference room / meeting room, duty room, recreation room, changing room, sports hall, reception / lobby, multi-storey / underground car park
Colour	black
Colour, RAL	9005

Capacitive load in µF	176 µF
Technology, sensors	passive infrared, Light sensor
Mounting height	2,50 – 10,00 m
Mounting height max.	10,00 m
Optimum mounting height	2,8 m
Detection angle	360 °
Angle of aperture	160 °
Sneak-by guard	Yes
Capability of masking out individual segments	No
Electronic scalability	No
Mechanical scalability	Yes
Reach, radial	8 x 8 m (64 m ²)
Reach, tangential	20 x 20 m (400 m ²)
Reach, presence	8 x 8 m (64 m ²)
Switching zones	4800 switching zones

IR Quattro HD 24m

COM1 - surface black
 EAN 4007841 068615
 Article number 068615



Technical specifications

Includes corner wall mount	No
Installation site	ceiling
Installation	Surface wiring, Ceiling
IP-rating	IP20
Ambient temperature	-25 – 55 °C
Material	Plastic
Mains power supply	230 V / 50 – 60 Hz
Fluorescent lamps, electronic ballast	1500 W
Fluorescent lamps, uncorrected	1000 VA
Fluorescent lamps, series-corrected	1000 VA
Fluorescent lamps, parallel-corrected	1000 VA
Switching output 1, low-voltage halogen lamps	2000 VA
LED lamps < 2 W	100 W
LED lamps > 2 W < 8 W	300 W
LED lamps > 8 W	600 W

Functions	Normal / test mode, Semi-/fully automatic, Pushbutton / switch mode, Manual ON / ON-OFF, Constant-lighting control ON-OFF
Twilight setting	10 – 1000 lx
Time setting	30 s – 30 Min.
Basic light level function	No
Main light adjustable	No
Twilight setting TEACH	Yes
Constant-lighting control	No
Interconnection	Yes
Type of interconnection	Master/master, Master/slave
Interconnection via	Cable
Interconnection, number	max. 10 sensors

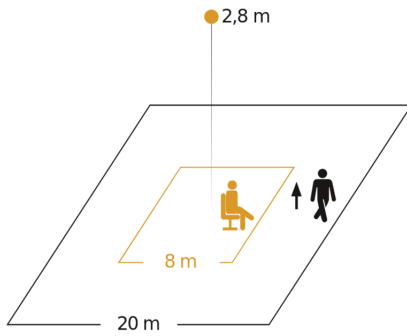
Accessories

EAN 4007841 003036	Control PRO guard cage
EAN 4007841 009151	Remote control Smart Remote
EAN 4007841 559410	Service remote control RC8

IR Quattro HD 24m

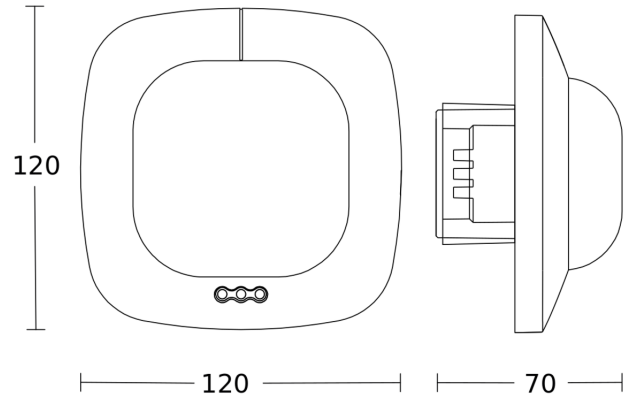
COM1 - surface black
EAN 4007841 068615
Article number 068615

Detection Zone

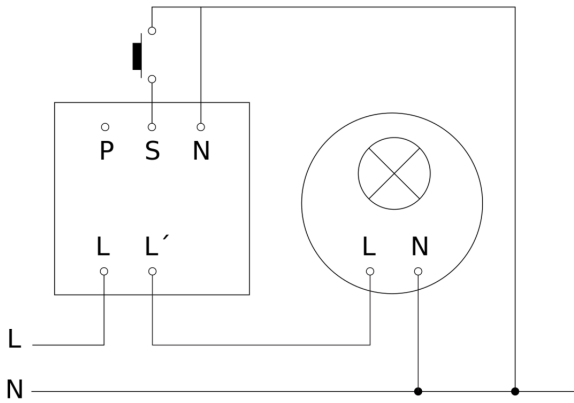


Possible mounting height: 2,50 m - 10,00 m
Orange: presence
Black: tangential

Dimension Drawing



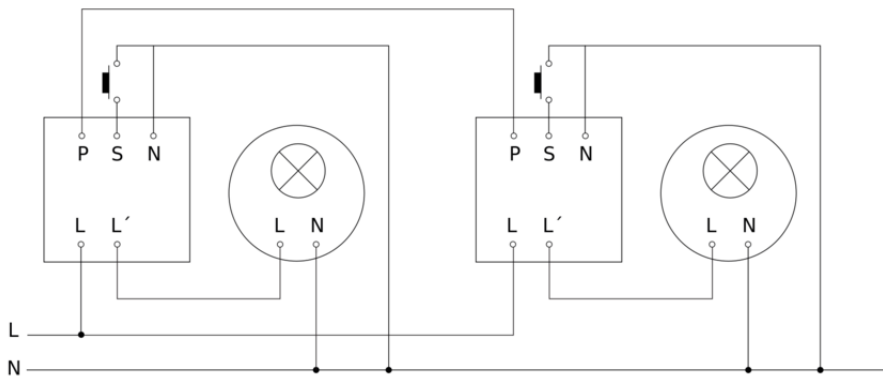
Master circuit diagram



IR Quattro HD 24m

COM1 - surface black
EAN 4007841 068615
Article number 068615

Master/master interconnection circuit diagram



Master/slave interconnection circuit diagram

