

AC charging cable - EV-T2G3PC-1AC32A-5,0M6,0ESBK01



1627801

<https://www.phoenixcontact.com/gb/products/1627801>

Please be informed that the data shown in this PDF document is generated from our Online Catalog. Please find the complete data in the user documentation. Our General Terms of Use for Downloads are valid.



CHARX connect, Mobile AC charging cable, with vehicle charging connector and infrastructure charging plug, for charging electric vehicles (EV) with alternating current (AC) via type 2 vehicle charging inlets, with protective cap, Type 2, IEC 62196-2, 32 A / 250 V (AC), C-Line, housing: black, gray, PHOENIX CONTACT logo, cable: 5 m, black, straight

Product Description

Mobile AC charging cable with vehicle charging connector and infrastructure charging plug for charging electric vehicles (EV) with alternating current (AC) via type 2 vehicle charging inlets, compatible with type 2 infrastructure charging sockets at charging stations for e-mobility (EVSE)

Your advantages

- Complete product range
- Convenient handling due to the ergonomic, triple award-winning design
- Available with your logo on request – for consistent branding of your charging station
- Longitudinal water tightness reliably prevents water ingress
- Developed and produced in accordance with the IATF 16949 automotive standard and ISO 9001
- Tested in accordance with automotive standards LV124, LV214, and LV215-2
- Tested in accordance with EV Ready 37 requirements
- Laser-marked mating face in accordance with DIN EN 17186

Commercial Data

Item number	1627801
Packing unit	1 pc
Minimum order quantity	1 pc
Sales Key	XWBAEC
Product Key	XWBAEC
Catalog Page	Page 28 (C-7-2019)
GTIN	4055626355283
Weight per Piece (including packing)	2,321 g
Weight per Piece (excluding packing)	2,321 g
Customs tariff number	85444290
Country of origin	PL

AC charging cable - EV-T2G3PC-1AC32A-5,0M6,0ESBK01



1627801

<https://www.phoenixcontact.com/gb/products/1627801>

Technical Data

Product properties

Product type	AC charging cable
Application	for charging electric vehicles (EV) with alternating current (AC) via type 2 vehicle charging inlets compatible with type 2 infrastructure charging sockets at charging stations for electromobility (EVSE)
Type	Mobile AC charging cable with vehicle charging connector and infrastructure charging plug
Design	with protective cap
Affixed logo	PHOENIX CONTACT logo
Charging mode	Mode 3, Case B
Charging standard	Type 2

Electrical properties

Number of phases	1
Type of signal transmission	Pulse width modulation
Note on the connection method	Crimp connection, cannot be disconnected
Coding	220 Ω (between PE and PP)
Type of charging current	AC single-phase
Charging power	8 kW
Charging current	32 A

Power contact

Number	3 (L1, N, PE)
Rated voltage	250 V AC
Rated current	32 A

Signal contact

Number	2 (CP, PP)
Rated voltage	30 V AC
Rated current	2 A

Dimensions

Width	58 mm
Height	131.8 mm
Depth	233.4 mm
Width	70 mm
Height	137 mm
Depth	215.9 mm

AC charging cable - EV-T2G3PC-1AC32A-5,0M6,0ESBK01



1627801

<https://www.phoenixcontact.com/gb/products/1627801>

Dimensional drawing	
Width Vehicle charging connector	70 mm
Width Infrastructure charging plug	58 mm
Height Vehicle charging connector	137 mm
Height Infrastructure charging plug	131.8 mm
Depth Vehicle charging connector	215.9 mm
Depth Infrastructure charging plug	233.4 mm

Material specifications

(Housing)	black (9005)
	gray (7042)
	black (9005)
	black (9005)
	black (9005)
Housing material	Plastic
Material of grip body	Soft plastic
Material protective cap	Soft plastic
Material mating face	Plastic
Material surface of contacts	Ag

Design

Design	C-Line
Color Housing	black
Color Connection profile	black
Color Handle area	gray
Color Protective cap	black
Customer variations	On request

Cable / line

Cable length	5 m
Wiring standards/regulations	prEN 50620 / DIN EN 50620
Wiring certifications	VDE
Cable weight	max. 305 kg/km
Cable type	Class 5
Cable type	straight
Cable structure	3 x 4.0 mm ² + 1 x 0.5 mm ²
External cable diameter	12.8 mm ±0.4 mm
Outer sheath, material	TPE-U
Cable resistance	≤ 0.0033 Ω/m (based on a power core, at an ambient temperature of 20°C)

AC charging cable - EV-T2G3PC-1AC32A-5,0M6,0ESBK01



1627801

<https://www.phoenixcontact.com/gb/products/1627801>

Mechanical properties

Bending radius	min. 96 mm (7.5x diameter)
----------------	----------------------------

Mechanical data

Insertion/withdrawal cycles	> 10000
Insertion force	< 100 N
Withdrawal force	< 100 N

Environmental and real-life conditions

Ambient conditions

Ambient temperature (operation)	-40 °C ... 50 °C
Ambient temperature (storage/transport)	-40 °C ... 80 °C
Altitude	5000 m (above sea level)

Standards and regulations

Standards

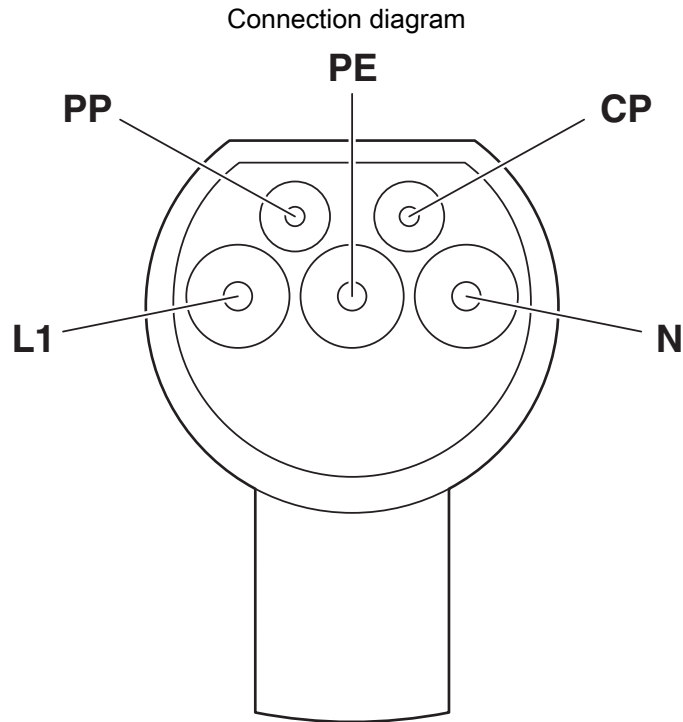
Standards/regulations	IEC 62196-2
-----------------------	-------------

AC charging cable - EV-T2G3PC-1AC32A-5,0M6,0ESBK01

1627801

<https://www.phoenixcontact.com/gb/products/1627801>

Drawings



Pin assignment of Infrastructure Plug

AC charging cable - EV-T2G3PC-1AC32A-5,0M6,0ESBK01

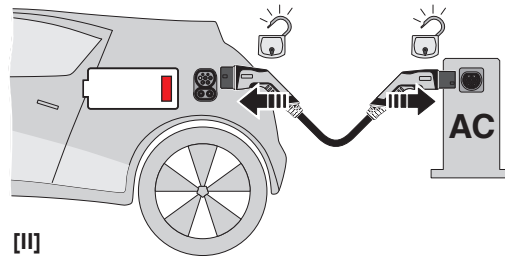
1627801

<https://www.phoenixcontact.com/gb/products/1627801>

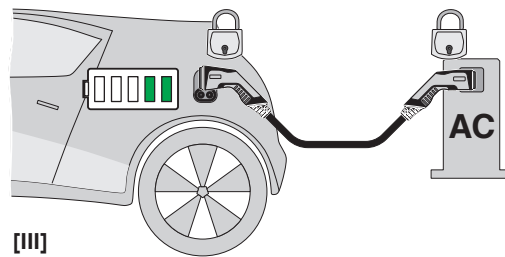
Schematic diagram



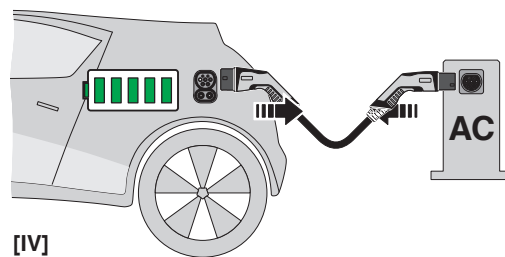
[I]



[II]



[III]



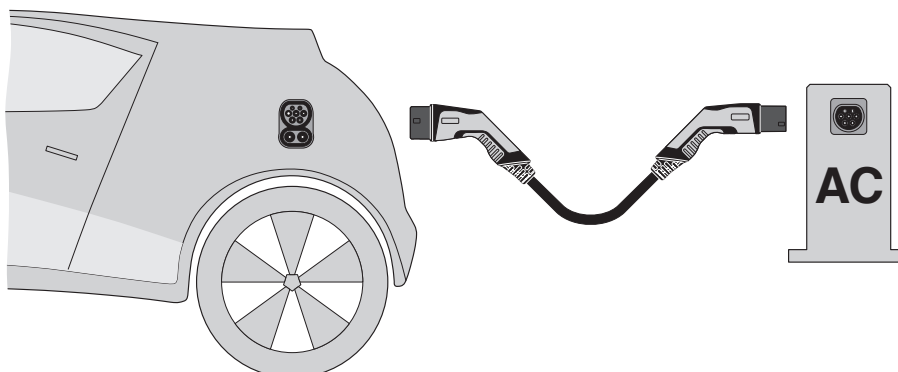
[IV]



[V]

Operating instructions

Schematic diagram



Terminology definition

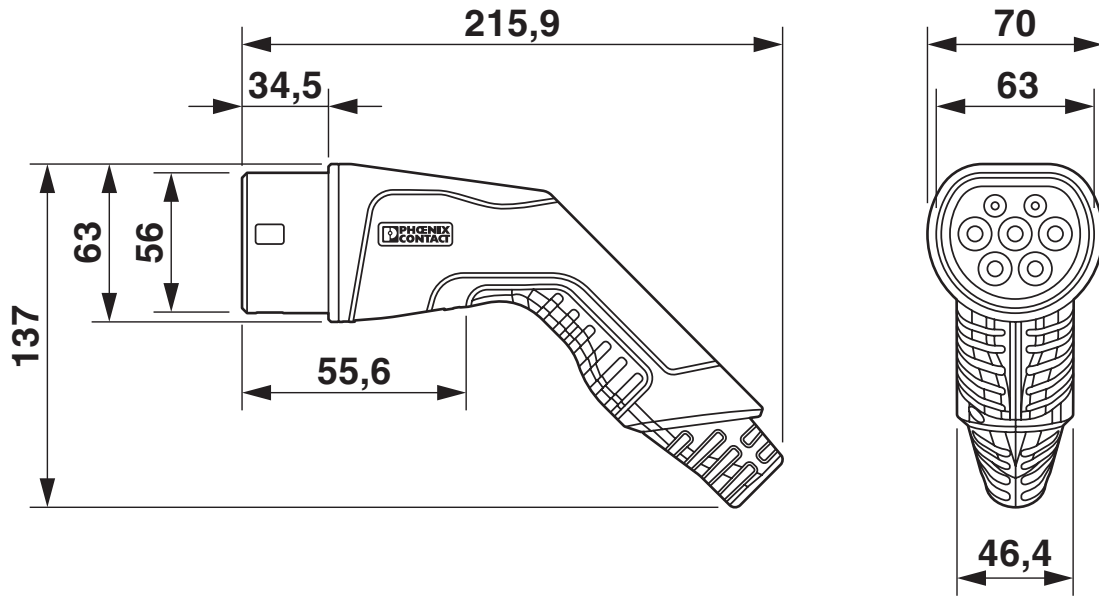
AC charging cable - EV-T2G3PC-1AC32A-5,0M6,0ESBK01



1627801

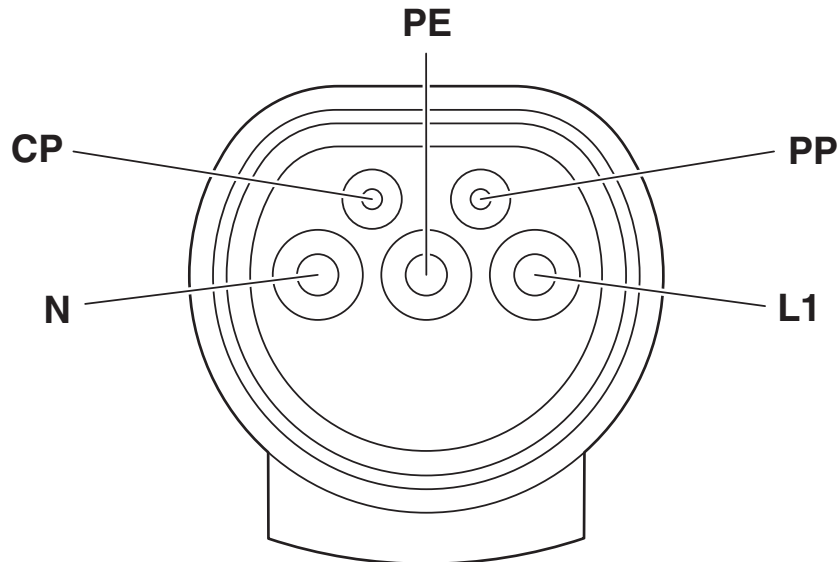
<https://www.phoenixcontact.com/gb/products/1627801>

Dimensional drawing



Vehicle connector

Schematic diagram



Pin assignment of the Vehicle Connector

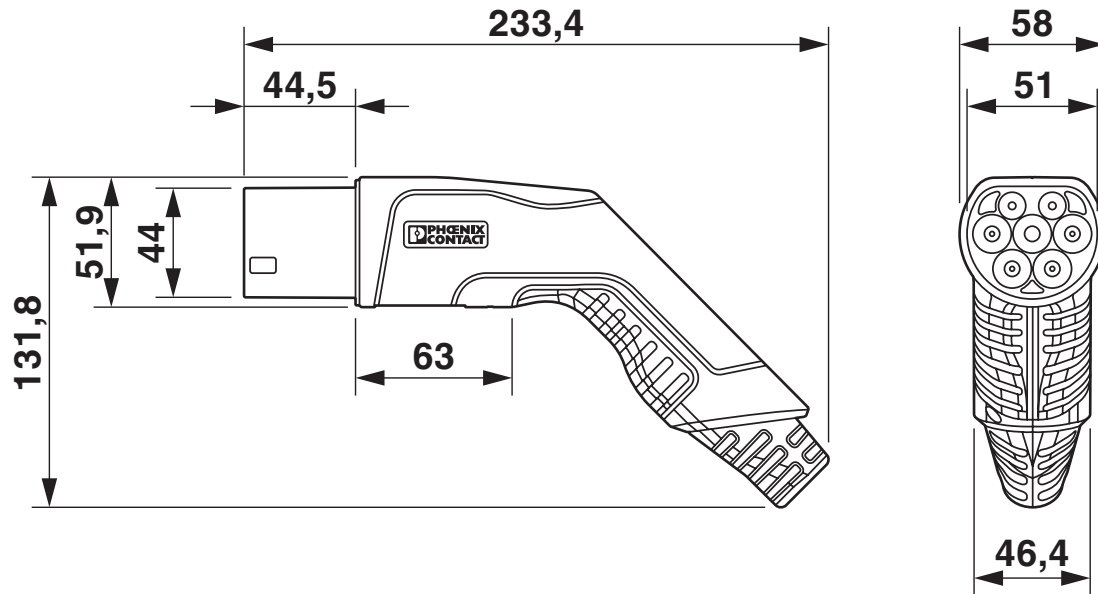
AC charging cable - EV-T2G3PC-1AC32A-5,0M6,0ESBK01



1627801

<https://www.phoenixcontact.com/gb/products/1627801>

Dimensional drawing



Infrastructure plug

AC charging cable - EV-T2G3PC-1AC32A-5,0M6,0ESBK01



1627801

<https://www.phoenixcontact.com/gb/products/1627801>

Approvals

 IECEE CB Scheme Approval ID: DE1-65890	Nominal Voltage U_N	Nominal Current I_N	Cross Section AWG	Cross Section mm^2
	250 V	32 A	-	-

 VDE Zeichengenehmigung Approval ID: 40045394	Nominal Voltage U_N	Nominal Current I_N	Cross Section AWG	Cross Section mm^2
	250 V	32 A	-	-

AC charging cable - EV-T2G3PC-1AC32A-5,0M6,0ESBK01



1627801

<https://www.phoenixcontact.com/gb/products/1627801>

Classifications

ECLASS

ECLASS-9.0	27144705
ECLASS-10.0.1	27144705
ECLASS-11.0	27144705

ETIM

ETIM 8.0	EC002897
----------	----------

UNSPSC

UNSPSC 21.0	39121500
-------------	----------

AC charging cable - EV-T2G3PC-1AC32A-5,0M6,0ESBK01



1627801

<https://www.phoenixcontact.com/gb/products/1627801>

Environmental Product Compliance

REACH SVHC	Lead 7439-92-1
China RoHS	Environmentally Friendly Use Period = 10; For information on hazardous substances, refer to the manufacturer's declaration available under "Downloads"

AC charging cable - EV-T2G3PC-1AC32A-5,0M6,0ESBK01

1627801

<https://www.phoenixcontact.com/gb/products/1627801>

Accessories

Charging connector holder

Charging connector holder - EV-T2AC-PARK - 1624148

<https://www.phoenixcontact.com/gb/products/1624148>



CHARX connect, Charging connector holder, Accessories, for vehicle charging connectors on charging stations (EVSE), Type 2, IEC 62196-2, Front mounting, D-Line, housing: black, PHOENIX CONTACT logo

Infrastructure charging socket set

Infrastructure charging socket set - EV-T2M3SO12-3P-P-SET - 1164422

<https://www.phoenixcontact.com/gb/products/1164422>



CHARX connect, Infrastructure charging socket set, for charging electric vehicles (EV) with alternating current (AC), can be reconnected, with temperature sensors, with LED status indicator within the protective cover, with rear protective cap for strain relief and touch protection, Type 2, IEC 62196-2, 32 A / 480 V (AC), without cable, Rear panel mounting, M5 thread, P-Line, housing: black, PHOENIX CONTACT logo

AC charging cable - EV-T2G3PC-1AC32A-5,0M6,0ESBK01

1627801

<https://www.phoenixcontact.com/gb/products/1627801>

Infrastructure charging socket set

Infrastructure charging socket set - EV-T2M3SO12-4P-P-SET - 1164423

<https://www.phoenixcontact.com/gb/products/1164423>



CHARX connect, Infrastructure charging socket set, for charging electric vehicles (EV) with alternating current (AC), can be reconnected, with temperature sensors, with LED status indicator within the protective cover, with rear protective cap for strain relief and touch protection, Type 2, IEC 62196-2, 32 A / 480 V (AC), without cable, Rear panel mounting, M5 thread, P-Line, housing: black, PHOENIX CONTACT logo

Infrastructure charging socket set

Infrastructure charging socket set - EV-T2M3SO12-3P-BL-SET - 1268358

<https://www.phoenixcontact.com/gb/products/1268358>



CHARX connect, Infrastructure charging socket set, for charging electric vehicles (EV) with alternating current (AC), can be reconnected, with LED status indicator within the protective cover, with rear protective cap for strain relief and touch protection, Type 2, IEC 62196-2, 32 A / 480 V (AC), without cable, locking actuator: 12 V, 3-pos., Rear panel mounting, M5 thread, B-Line, housing: black, PHOENIX CONTACT logo

AC charging cable - EV-T2G3PC-1AC32A-5,0M6,0ESBK01

1627801

<https://www.phoenixcontact.com/gb/products/1627801>

Infrastructure charging socket set

Infrastructure charging socket set - EV-T2M3SO12-4P-BL-SET - 1268355

<https://www.phoenixcontact.com/gb/products/1268355>



CHARX connect, Infrastructure charging socket set, for charging electric vehicles (EV) with alternating current (AC), can be reconnected, with LED status indicator within the protective cover, with rear protective cap for strain relief and touch protection, Type 2, IEC 62196-2, 32 A / 480 V (AC), without cable, locking actuator: 12 V, 4-pos., Rear panel mounting, M5 thread, B-Line, housing: black, PHOENIX CONTACT logo

Infrastructure charging socket set

Infrastructure charging socket set - EV-T2M3SO12-3P-B-SET - 1164420

<https://www.phoenixcontact.com/gb/products/1164420>



CHARX connect, Infrastructure charging socket set, for charging electric vehicles (EV) with alternating current (AC), can be reconnected, with rear protective cap for strain relief and touch protection, Type 2, IEC 62196-2, 32 A / 480 V (AC), without cable, locking actuator: 12 V, 3-pos., Rear panel mounting, M5 thread, B-Line, housing: black, PHOENIX CONTACT logo

AC charging cable - EV-T2G3PC-1AC32A-5,0M6,0ESBK01



1627801

<https://www.phoenixcontact.com/gb/products/1627801>

Infrastructure charging socket set

Infrastructure charging socket set - EV-T2M3SO12-4P-B-SET - 1164417

<https://www.phoenixcontact.com/gb/products/1164417>



CHARX connect, Infrastructure charging socket set, for charging electric vehicles (EV) with alternating current (AC), can be reconnected, with rear protective cap for strain relief and touch protection, Type 2, IEC 62196-2, 32 A / 480 V (AC), without cable, locking actuator: 12 V, 4-pos., Rear panel mounting, M5 thread, B-Line, housing: black, PHOENIX CONTACT logo

Label

Label - EV-LABEL-C - 1309766

<https://www.phoenixcontact.com/gb/products/1309766>



CHARX connect, Label, Accessories, for AC charging cable, DIN EN 17186, C-Line, PHOENIX CONTACT logo, Marking C for AC type 2 vehicle charging connectors and type 2 vehicle charging inlets

AC charging cable - EV-T2G3PC-1AC32A- 5,0M6,0ESBK01



1627801

<https://www.phoenixcontact.com/gb/products/1627801>

Label

Label - EV-LABEL-C-SO - 1315521

<https://www.phoenixcontact.com/gb/products/1315521>

CHARX connect, Label, Accessories, for AC charging cables and infrastructure charging sockets, DIN EN 17186, B-Line, P-Line, Marking C for AC type 2 infrastructure charging plugs and type 2 infrastructure charging sockets



Phoenix Contact 2022 © - all rights reserved

<https://www.phoenixcontact.com>

PHOENIX CONTACT Ltd

Halesfield 13, Telford

Shropshire, TF7 4PG

01952 681700

info@phoenixcontact.co.uk