

RJ45 connector - VS-08-RJ45-10G/Q - 1419001

Please be informed that the data shown in this PDF Document is generated from our Online Catalog. Please find the complete data in the user's documentation. Our General Terms of Use for Downloads are valid (<http://phoenixcontact.com/download>)



RJ45 connector, IP20, CAT6_A, 8-pos., with QUICKON fast connection technology, for 26 ... 24 AWG 1-wire and 7-wire conductors, color: black



Ethernet

Key commercial data

Packing unit	1 pc
GTIN	 4 046356 521567
Weight per Piece (excluding packing)	12.0 g
Custom tariff number	85366990
Country of origin	Germany

Technical data

Mechanical characteristics

Number of positions	8
Connection profile	RJ45 8(8)
Shielded	Yes
Insertion/withdrawal cycles	≥ 750
Connection method	IDC fast connection
Conductor cross section	0.13 mm ² ... 0.21 mm ² (solid) 0.14 mm ² ... 0.23 mm ² (7-wire)
Connection cross section AWG	26 ... 24 (solid) 26 ... 24 (7-wire)
Max. cable diameter	4.5 mm ... 8 mm
External cable diameter	4.5 mm ... 8 mm
Cable exit	Straight
Color	yellow

Ambient conditions

RJ45 connector - VS-08-RJ45-10G/Q - 1419001

Technical data

Ambient conditions

Ambient temperature (operation)	-40 °C ... 70 °C
Degree of protection	IP20

Material data

Inflammability class according to UL 94	V2
Housing material	PA 6.6
Contact carrier material	PC
Contact material	CuSn
Contact surface material	Gold over nickel

Electrical characteristics

Number of positions	8
Nominal voltage U_N	50 V
Nominal current I_N	1.75 A
Transmission speed	10 GBit/s
Transmission characteristics (category)	CAT6 _A (IEC 60512-27-100:2008, TIA-568-C.2:2009)
Rated current	1.75 A
Surge voltage category	I
Pollution degree	2

Classifications

eCl@ss

eCl@ss 4.0	27140816
eCl@ss 4.1	27260701
eCl@ss 5.0	27260701
eCl@ss 5.1	27260701
eCl@ss 6.0	27260705
eCl@ss 7.0	27440309
eCl@ss 8.0	27440101

ETIM

ETIM 2.0	EC000764
ETIM 3.0	EC001121
ETIM 4.0	EC002641
ETIM 5.0	EC002636

UNSPSC

UNSPSC 6.01	30211824
UNSPSC 7.0901	31261501
UNSPSC 11	31261501
UNSPSC 12.01	31261501

RJ45 connector - VS-08-RJ45-10G/Q - 1419001

Classifications

UNSPSC

UNSPSC 13.2	31261501
-------------	----------

Approvals

Approvals

Approvals

EAC

Ex Approvals

Approvals submitted

Approval details

EAC

Accessories

Accessories

Tool - VS-CABLE-STRIP-VARIO - 1657407

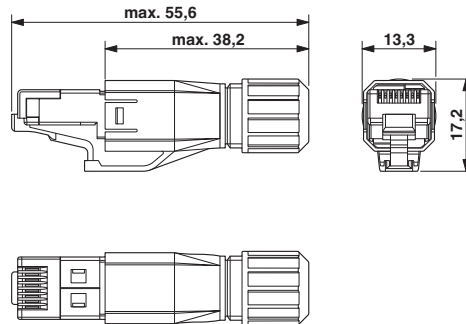
Stripping tool, for the multi-level stripping of shielded cables



Drawings

RJ45 connector - VS-08-RJ45-10G/Q - 1419001

Dimensioned drawing



RJ45 connector, IP20

Phoenix Contact 2015 © - all rights reserved
<http://www.phoenixcontact.com>