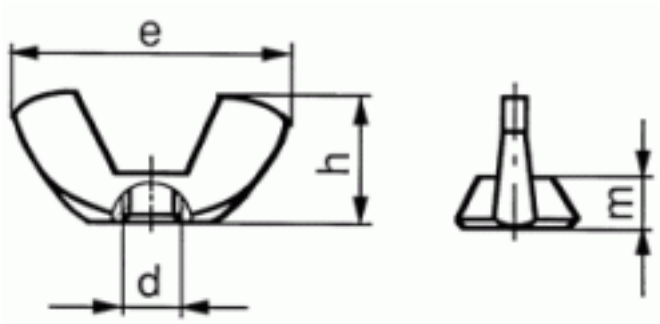


51810120001

STNL A2 WING NT LIGHT (AM) M12



Brand	-
UBB Code	950355229861
UNSPSC Code	31161717
EAN Code	8715492310545
Driving features	wing
Thread	Metric thread
Material	Stainless steel
Material technical	A2



h ≈	22,5
e ≈	47,5
m ≈	7,9
P	1,75
d	M12
Packaging (Piece)	10.0



Copyright Fabory Group