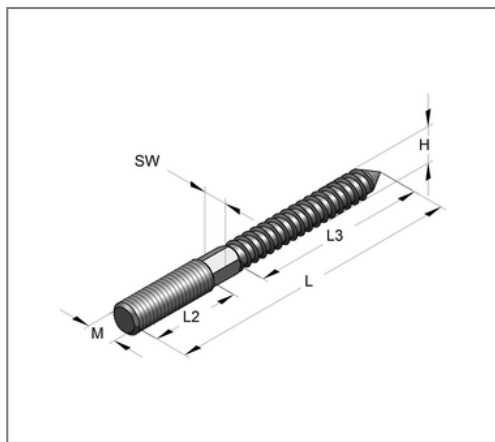


■ Hanger bolt M8 H6,7 TX 25 Length 120 mm SW 6 galv.



Commercial details

Part no.	3608123
EAN/GTIN	4250928438652
Packing unit	100 pcs
Quantity unit	pcs
Weight	0,0294 kg/pc
Product group	05-360
Price unit	100

QR code



Technical data

Material	Steel
Surface	galvanized

Product details

Thread	M8
Wood thread	H6.7
Length wood thread	45 mm
Length	120 mm
Wrench size	6
Type dowel	10 x 60

Remark

Specification	multi-tooth TX 25
---------------	-------------------