

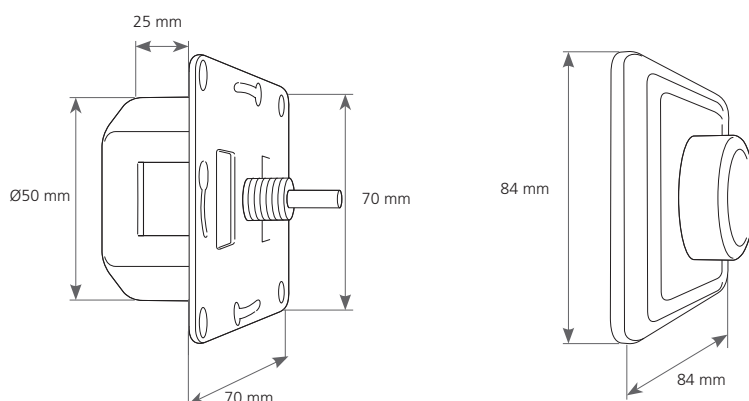
# LED dimmer VD200

1-200VA

VD200 is a LED dimmer for 230V halogen, incandescent lamps and LED from 1-200VA, dimmable LED-control gears and electronic transformers.



LED-dimmer VD200  
V-4020020TRL



# LED dimmer VD200

<b>Designation</b>	LED dimmer VD200	
<b>Part number</b>	V-4020020TRL	
<b>Power</b>	1-200VA	
<b>Input voltage</b>	220-240V	
<b>Input current</b>	0.9A	
<b>Function</b>	Controlled leading- or trailing edge signal, can be selected with jumper. Delivered with trailing edge signal.	
- dimming function	Rotation	
- ON/OFF	Push, primary switched	
<b>Operating temperature</b>	-20°C to +40°C	
<b>Tc max</b>	+75°C	
<b>Dimensions (LxWxH)</b>	84x84x45 mm	
<b>Weight</b>	90 g	
<b>Colour</b>	White	
<b>Housing</b>		
- material	PBT	
- flame class	V-0	
<b>PCB housing</b>		
- material	PC	
- flame class	V-0	
<b>Plate</b>		
- material	Aluminum	
- flame class	-	
<b>Connection</b>	Screw clamp (max. 2,5mm <sup>2</sup> ) screw terminal	
<b>Protection</b>		
- transients	Yes	
- overload	Yes, 4A fuse	
- overheating	Yes, 115°C automatic reset	
- short-circuit	Yes, automatic reset after removal of fault	
<b>For dimming of</b>	LED, 230V halogen, incandescent lamps, dimmable LED driver, electronic transformer	
<b>Staircase function</b>	Yes (ON/OFF can be controlled by separate push-button switches)	
<b>Softstart</b>	No	
<b>Frame set compability</b>	Busch Jaeger, GIRA, Eljo	
<b>Working humidity</b>	<90% RH non-condensing	
<b>Isolation class</b>	II	
<b>Degree of protection</b>	IP20	
<b>Manufacturing standard</b>	EN 55015/A2: 2009 EN 61547:2009 EN 61000-3-2/A2:2009	EN 61000-3-3:2008 EN 60669-2-1/A12:2010 EN 60669-1:A2:2008
<b>Approvals</b>	CE	