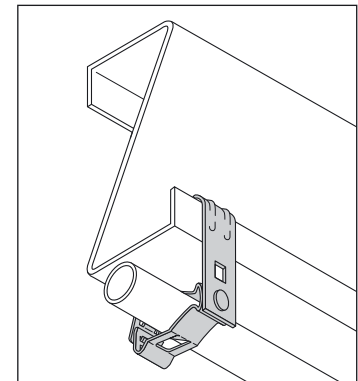
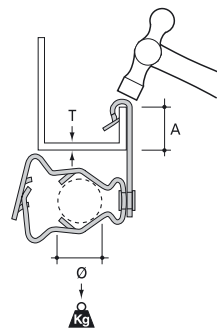
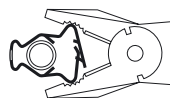


Ordering Information

PRODUCT REF.	T [mm]	Ø [mm]	PG TYPE	LOAD RATING [kg]	MATERIAL FINISHES*	QUANTITY [pieces]
AV155-GM1219	1.5-5	12-19	9/11	12	F8	25
AV155-GM1926	1.5-5	19-26	13.5/16	12	F8	25
AV155-GM2632	1.5-5	26-32	21	12	F8	25
AV155-GM3240	1.5-5	32-40	29	12	F8	25
AV155-GM4047	1.5-5	40-47	36	12	F8	25
AV155-GM4757	1.5-5	47-57	36/42	12	F8	25
AV57-GM1219	5-7	12-19	9/11	12	F8	25
AV57-GM1926	5-7	19-26	13.5/16	12	F8	25
AV57-GM2632	5-7	26-32	21	12	F8	25
AV57-GM3240	5-7	32-40	29	12	F8	25
AV57-GM4047	5-7	40-47	36	12	F8	25
AV57-GM4757	5-7	47-57	36/42	12	F8	25

Purlin clips for conduits



Ordering Information

PRODUCT REF.	T [mm]	Ø [mm]	PG TYPE	A [mm]	LOAD RATING [kg]	MATERIAL FINISHES*	QUANTITY [pieces]
AV155-GM1219R	1.5-5	12-19	9/11	Max 15	12	F8	25
AV155-GM1926R	1.5-5	19-26	13.5/16	Max 12	12	F8	25
AV155-GM2632R	1.5-5	26-32	21	Max 25	12	F8	25
AV57-GM1219R	5-7	12-19	9/11	Max 15	12	F8	25
AV57-GM1926R	5-7	19-26	13.5/16	Max 12	12	F8	25
AV57-GM2632R	5-7	26-32	21	Max 25	12	F8	25

* See page 114 for description