

AC charging cable - EV-T2G3PC-1AC32A-7,0M6,0ESBK01



1628198

<https://www.phoenixcontact.com/gb/products/1628198>

Please be informed that the data shown in this PDF document is generated from our Online Catalog. Please find the complete data in the user documentation. Our General Terms of Use for Downloads are valid.



CHARX connect, Mobile AC charging cable, with vehicle charging connector and infrastructure charging plug, for charging electric vehicles (EV) with alternating current (AC) via type 2 vehicle charging inlets, with protective cap, Type 2, IEC 62196-2, 32 A / 250 V (AC), C-Line, housing: black, gray, PHOENIX CONTACT logo, cable: 7 m, black, straight

Product Description

Mobile AC charging cable with vehicle charging connector and infrastructure charging plug for charging electric vehicles (EV) with alternating current (AC) via type 2 vehicle charging inlets, compatible with type 2 infrastructure charging sockets at charging stations for e-mobility (EVSE)

Your advantages

- Complete product range
- Convenient handling due to the ergonomic, triple award-winning design
- Available with your logo on request – for consistent branding of your charging station
- Longitudinal water tightness reliably prevents water ingress
- Developed and produced in accordance with the IATF 16949 automotive standard and ISO 9001
- Tested in accordance with automotive standards LV124, LV214, and LV215-2
- Tested in accordance with EV Ready 37 requirements
- Laser-marked mating face in accordance with DIN EN 17186

Commercial Data

| | |
|--------------------------------------|---------------|
| Item number | 1628198 |
| Packing unit | 1 pc |
| Minimum order quantity | 1 pc |
| Sales Key | XWBAEC |
| Product Key | XWBAEC |
| GTIN | 4055626395616 |
| Weight per Piece (including packing) | 3,048 g |
| Weight per Piece (excluding packing) | 3,048 g |
| Customs tariff number | 85444290 |
| Country of origin | PL |

AC charging cable - EV-T2G3PC-1AC32A-7,0M6,0ESBK01



1628198

<https://www.phoenixcontact.com/gb/products/1628198>

Technical Data

Product properties

| | |
|-------------------|--|
| Product type | AC charging cable |
| Application | for charging electric vehicles (EV) with alternating current (AC) via type 2 vehicle charging inlets compatible with type 2 infrastructure charging sockets at charging stations for electromobility (EVSE) |
| Type | Mobile AC charging cable with vehicle charging connector and infrastructure charging plug |
| Design | with protective cap |
| Affixed logo | PHOENIX CONTACT logo |
| Charging mode | Mode 3, Case B |
| Charging standard | Type 2 |

Electrical properties

| | |
|-------------------------------|--|
| Number of phases | 1 |
| Type of signal transmission | Pulse width modulation |
| Note on the connection method | Crimp connection, cannot be disconnected |
| Coding | 220 Ω (between PE and PP) |
| Type of charging current | AC single-phase |
| Charging power | 8 kW |
| Charging current | 32 A |

Power contact

| | |
|---------------|---------------|
| Number | 3 (L1, N, PE) |
| Rated voltage | 250 V AC |
| Rated current | 32 A |

Signal contact

| | |
|---------------|------------|
| Number | 2 (CP, PP) |
| Rated voltage | 30 V AC |
| Rated current | 2 A |

Dimensions

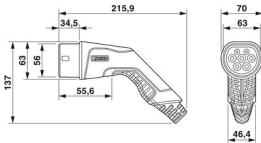
| | |
|--------|----------|
| Width | 58 mm |
| Height | 131.8 mm |
| Depth | 233.4 mm |
| Width | 70 mm |
| Height | 137 mm |
| Depth | 215.9 mm |

AC charging cable - EV-T2G3PC-1AC32A-7,0M6,0ESBK01



1628198

<https://www.phoenixcontact.com/gb/products/1628198>

| | |
|-------------------------------------|--|
| Dimensional drawing |  |
| Width Vehicle charging connector | 70 mm |
| Width Infrastructure charging plug | 58 mm |
| Height Vehicle charging connector | 137 mm |
| Height Infrastructure charging plug | 131.8 mm |
| Depth Vehicle charging connector | 215.9 mm |
| Depth Infrastructure charging plug | 233.4 mm |

Material specifications

| | |
|------------------------------|--------------|
| (Housing) | black (9005) |
| | gray (7042) |
| | black (9005) |
| | black (9005) |
| | black (9005) |
| Housing material | Plastic |
| Material of grip body | Soft plastic |
| Material protective cap | Soft plastic |
| Material mating face | Plastic |
| Material surface of contacts | Ag |

Design

| | |
|--------------------------|------------|
| Design | C-Line |
| Color Housing | black |
| Color Connection profile | black |
| Color Handle area | gray |
| Color Protective cap | black |
| Customer variations | On request |

Cable / line

| | |
|------------------------------|---|
| Cable length | 7 m |
| Wiring standards/regulations | prEN 50620 / DIN EN 50620 |
| Wiring certifications | VDE |
| Cable weight | max. 305 kg/km |
| Cable type | Class 5 |
| Cable type | straight |
| Cable structure | 3 x 4.0 mm ² + 1 x 0.5 mm ² |
| External cable diameter | 12.8 mm ±0.4 mm |
| Outer sheath, material | TPE-U |
| Cable resistance | ≤ 0.0033 Ω/m (based on a power core, at an ambient temperature of 20°C) |

AC charging cable - EV-T2G3PC-1AC32A-7,0M6,0ESBK01



1628198

<https://www.phoenixcontact.com/gb/products/1628198>

Mechanical properties

| | |
|----------------|----------------------------|
| Bending radius | min. 96 mm (7.5x diameter) |
|----------------|----------------------------|

Mechanical data

| | |
|-----------------------------|---------|
| Insertion/withdrawal cycles | > 10000 |
| Insertion force | < 100 N |
| Withdrawal force | < 100 N |

Environmental and real-life conditions

Ambient conditions

| | |
|---|--------------------------|
| Ambient temperature (operation) | -40 °C ... 50 °C |
| Ambient temperature (storage/transport) | -40 °C ... 80 °C |
| Altitude | 5000 m (above sea level) |

Standards and regulations

Standards

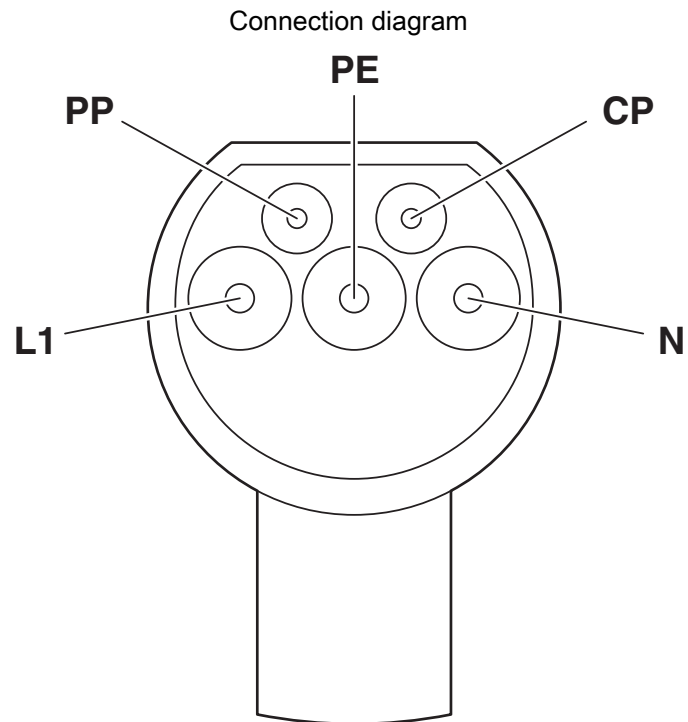
| | |
|-----------------------|-------------|
| Standards/regulations | IEC 62196-2 |
|-----------------------|-------------|

AC charging cable - EV-T2G3PC-1AC32A-7,0M6,0ESBK01

1628198

<https://www.phoenixcontact.com/gb/products/1628198>

Drawings



Pin assignment of Infrastructure Plug

AC charging cable - EV-T2G3PC-1AC32A-7,0M6,0ESBK01

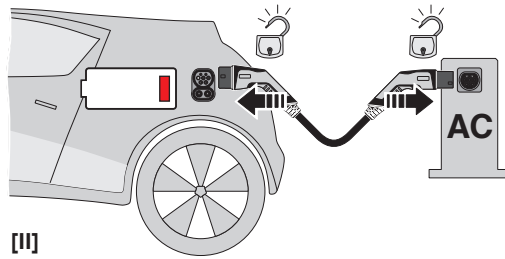
1628198

<https://www.phoenixcontact.com/gb/products/1628198>

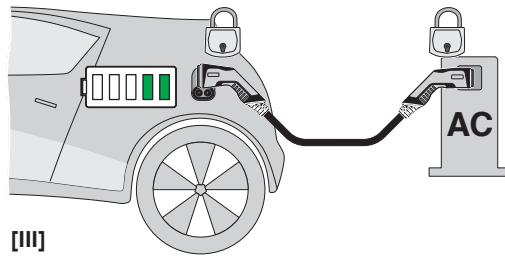
Schematic diagram



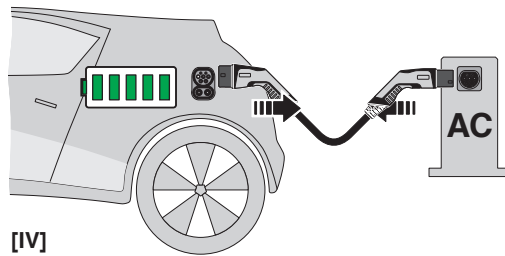
[I]



[II]



[III]



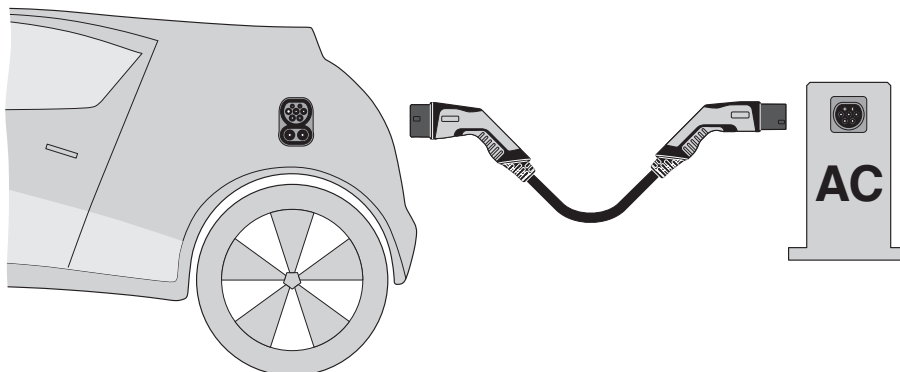
[IV]



[V]

Operating instructions

Schematic diagram



Terminology definition

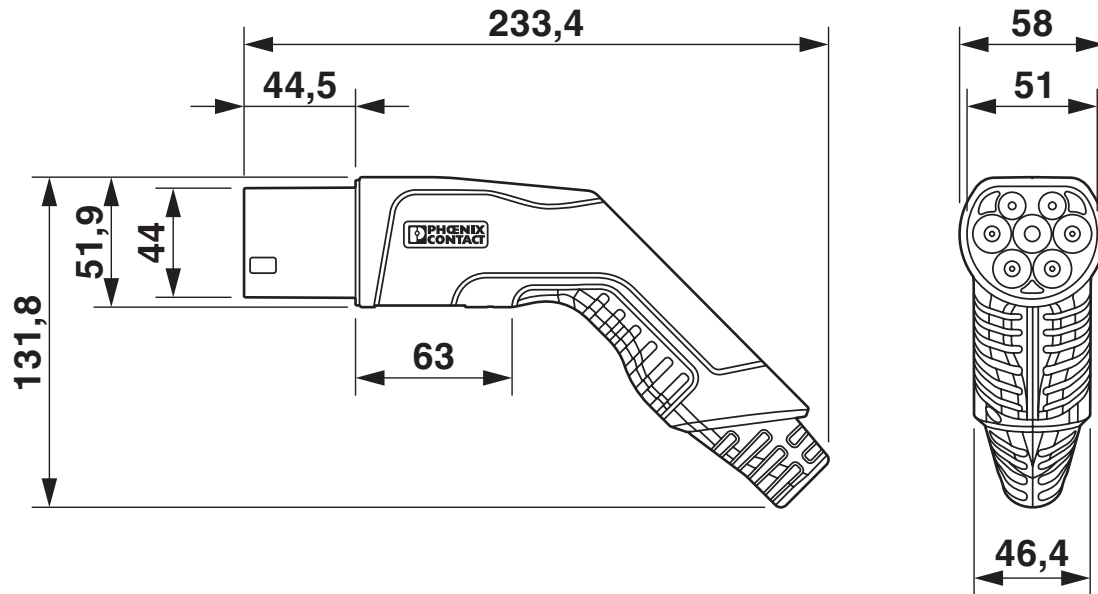
AC charging cable - EV-T2G3PC-1AC32A-7,0M6,0ESBK01



1628198

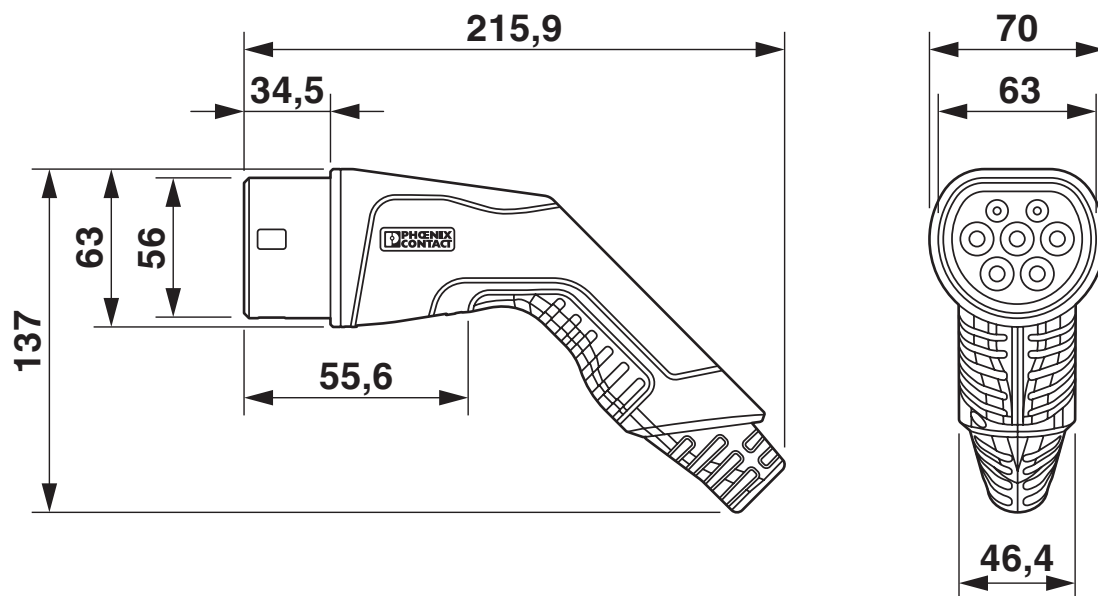
<https://www.phoenixcontact.com/gb/products/1628198>

Dimensional drawing



Infrastructure plug

Dimensional drawing



Vehicle connector

AC charging cable - EV-T2G3PC-1AC32A-7,0M6,0ESBK01

1628198

<https://www.phoenixcontact.com/gb/products/1628198>

Schematic diagram



Pin assignment of the Vehicle Connector

AC charging cable - EV-T2G3PC-1AC32A-7,0M6,0ESBK01



1628198

<https://www.phoenixcontact.com/gb/products/1628198>

Approvals

|  IECEE CB Scheme Approval ID: DE1-65890 | Nominal Voltage U_N | Nominal Current I_N | Cross Section AWG | Cross Section mm^2 |
|--|-----------------------|-----------------------|-------------------|-----------------------------|
| | 250 V | 32 A | - | - |

|  VDE Zeichengenehmigung Approval ID: 40045394 | Nominal Voltage U_N | Nominal Current I_N | Cross Section AWG | Cross Section mm^2 |
|--|-----------------------|-----------------------|-------------------|-----------------------------|
| | 250 V | 32 A | - | - |

AC charging cable - EV-T2G3PC-1AC32A-7,0M6,0ESBK01



1628198

<https://www.phoenixcontact.com/gb/products/1628198>

Classifications

ECLASS

| | |
|---------------|----------|
| ECLASS-9.0 | 27144705 |
| ECLASS-10.0.1 | 27144705 |
| ECLASS-11.0 | 27144705 |

ETIM

| | |
|----------|----------|
| ETIM 8.0 | EC002897 |
|----------|----------|

UNSPSC

| | |
|-------------|----------|
| UNSPSC 21.0 | 39121500 |
|-------------|----------|

AC charging cable - EV-T2G3PC-1AC32A-7,0M6,0ESBK01



1628198

<https://www.phoenixcontact.com/gb/products/1628198>

Environmental Product Compliance

| | |
|------------|--|
| REACH SVHC | Lead 7439-92-1 |
| China RoHS | Environmentally Friendly Use Period = 10; |
| | For information on hazardous substances, refer to the manufacturer's declaration available under "Downloads" |

AC charging cable - EV-T2G3PC-1AC32A-7,0M6,0ESBK01

1628198

<https://www.phoenixcontact.com/gb/products/1628198>

Accessories

Charging connector holder

Charging connector holder - EV-T2AC-PARK - 1624148

<https://www.phoenixcontact.com/gb/products/1624148>



CHARX connect, Charging connector holder, Accessories, for vehicle charging connectors on charging stations (EVSE), Type 2, IEC 62196-2, Front mounting, D-Line, housing: black, PHOENIX CONTACT logo

Infrastructure charging socket set

Infrastructure charging socket set - EV-T2M3SO12-3P-P-SET - 1164422

<https://www.phoenixcontact.com/gb/products/1164422>



CHARX connect, Infrastructure charging socket set, for charging electric vehicles (EV) with alternating current (AC), can be reconnected, with temperature sensors, with LED status indicator within the protective cover, with rear protective cap for strain relief and touch protection, Type 2, IEC 62196-2, 32 A / 480 V (AC), without cable, Rear panel mounting, M5 thread, P-Line, housing: black, PHOENIX CONTACT logo

AC charging cable - EV-T2G3PC-1AC32A-7,0M6,0ESBK01

1628198

<https://www.phoenixcontact.com/gb/products/1628198>

Infrastructure charging socket set

Infrastructure charging socket set - EV-T2M3SO12-4P-P-SET - 1164423

<https://www.phoenixcontact.com/gb/products/1164423>



CHARX connect, Infrastructure charging socket set, for charging electric vehicles (EV) with alternating current (AC), can be reconnected, with temperature sensors, with LED status indicator within the protective cover, with rear protective cap for strain relief and touch protection, Type 2, IEC 62196-2, 32 A / 480 V (AC), without cable, Rear panel mounting, M5 thread, P-Line, housing: black, PHOENIX CONTACT logo

Infrastructure charging socket set

Infrastructure charging socket set - EV-T2M3SO12-3P-BL-SET - 1268358

<https://www.phoenixcontact.com/gb/products/1268358>



CHARX connect, Infrastructure charging socket set, for charging electric vehicles (EV) with alternating current (AC), can be reconnected, with LED status indicator within the protective cover, with rear protective cap for strain relief and touch protection, Type 2, IEC 62196-2, 32 A / 480 V (AC), without cable, locking actuator: 12 V, 3-pos., Rear panel mounting, M5 thread, B-Line, housing: black, PHOENIX CONTACT logo

AC charging cable - EV-T2G3PC-1AC32A-7,0M6,0ESBK01

1628198

<https://www.phoenixcontact.com/gb/products/1628198>

Infrastructure charging socket set

Infrastructure charging socket set - EV-T2M3SO12-4P-BL-SET - 1268355

<https://www.phoenixcontact.com/gb/products/1268355>



CHARX connect, Infrastructure charging socket set, for charging electric vehicles (EV) with alternating current (AC), can be reconnected, with LED status indicator within the protective cover, with rear protective cap for strain relief and touch protection, Type 2, IEC 62196-2, 32 A / 480 V (AC), without cable, locking actuator: 12 V, 4-pos., Rear panel mounting, M5 thread, B-Line, housing: black, PHOENIX CONTACT logo

Infrastructure charging socket set

Infrastructure charging socket set - EV-T2M3SO12-3P-B-SET - 1164420

<https://www.phoenixcontact.com/gb/products/1164420>



CHARX connect, Infrastructure charging socket set, for charging electric vehicles (EV) with alternating current (AC), can be reconnected, with rear protective cap for strain relief and touch protection, Type 2, IEC 62196-2, 32 A / 480 V (AC), without cable, locking actuator: 12 V, 3-pos., Rear panel mounting, M5 thread, B-Line, housing: black, PHOENIX CONTACT logo

AC charging cable - EV-T2G3PC-1AC32A-7,0M6,0ESBK01



1628198

<https://www.phoenixcontact.com/gb/products/1628198>

Infrastructure charging socket set

Infrastructure charging socket set - EV-T2M3SO12-4P-B-SET - 1164417

<https://www.phoenixcontact.com/gb/products/1164417>



CHARX connect, Infrastructure charging socket set, for charging electric vehicles (EV) with alternating current (AC), can be reconnected, with rear protective cap for strain relief and touch protection, Type 2, IEC 62196-2, 32 A / 480 V (AC), without cable, locking actuator: 12 V, 4-pos., Rear panel mounting, M5 thread, B-Line, housing: black, PHOENIX CONTACT logo

Label

Label - EV-LABEL-C - 1309766

<https://www.phoenixcontact.com/gb/products/1309766>



CHARX connect, Label, Accessories, for AC charging cable, DIN EN 17186, C-Line, PHOENIX CONTACT logo, Marking C for AC type 2 vehicle charging connectors and type 2 vehicle charging inlets

AC charging cable - EV-T2G3PC-1AC32A-7,0M6,0ESBK01



1628198

<https://www.phoenixcontact.com/gb/products/1628198>

Label

Label - EV-LABEL-C-SO - 1315521

<https://www.phoenixcontact.com/gb/products/1315521>

CHARX connect, Label, Accessories, for AC charging cables and infrastructure charging sockets, DIN EN 17186, B-Line, P-Line, Marking C for AC type 2 infrastructure charging plugs and type 2 infrastructure charging sockets



Phoenix Contact 2022 © - all rights reserved

<https://www.phoenixcontact.com>

PHOENIX CONTACT Ltd

Halesfield 13, Telford

Shropshire, TF7 4PG

01952 681700

info@phoenixcontact.co.uk