

# AI-XL 2,5-12 BU - Ferrule

3201987

<https://www.phoenixcontact.com/gb/products/3201987>

Please be informed that the data shown in this PDF document is generated from our Online Catalog. Please find the complete data in the user documentation. Our General Terms of Use for Downloads are valid.

Ferrule, sleeve length: 12 mm, length: 21.5 mm, color: blue



## Commercial Data

Item number	3201987
Packing unit	100 pc
Minimum order quantity	100 pc
Sales Key	BH341S
Product Key	BH341S
Catalog Page	Page 485 (C-3-2019)
GTIN	4017918125066
Weight per Piece (including packing)	0.3 g
Weight per Piece (excluding packing)	0.3 g
Customs tariff number	85369010
Country of origin	DE

## Technical Data

### Product properties

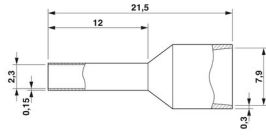
Product type	Cable end sleeve
Conductor category	stranded conductors, class 2, 5, 6 / B, C, K, M

### Connection data

#### Conductor connection

Conductor cross section flexible max.	2.5 mm <sup>2</sup>
Conductor cross section AWG max.	14
Stripping length	17 mm

### Dimensions

Dimensional drawing	
Length	21.5 mm
Sleeve length	12 mm
Maximum stripping length	17 mm
Ferrule diameter	2.3 mm
Sleeve wall thickness	0.15 mm
Insulating collar thickness	0.3 mm
Inner dimensions of the insulating collar	7.9 mm

### Material specifications

Color	blue
Material	CU-DHP
Flammability rating according to UL 94	HB
Coating	tin-plated (galvanic)
Components	free from silicone and halogen

### Mechanical properties

#### Technical data

Sleeve length	12 mm
---------------	-------

### Environmental and real-life conditions

#### Ambient conditions

Permanent temperature	105 °C (-40 °C no load / 0 °C dynamic load)
Short-term temperature	120 °C

# AI-XL 2,5-12 BU - Ferrule

3201987

<https://www.phoenixcontact.com/gb/products/3201987>



## Standards and regulations

Design according to standard

Color code in accordance with DIN 46228-4, UL 486F-E

# AI-XL 2,5-12 BU - Ferrule

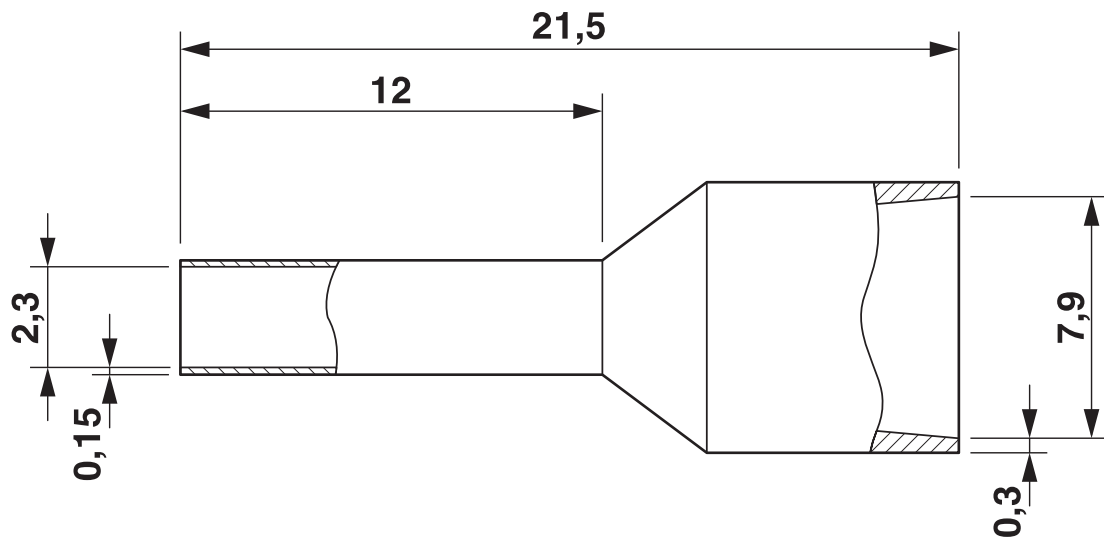
3201987

<https://www.phoenixcontact.com/gb/products/3201987>



## Drawings

Dimensional drawing



# AI-XL 2,5-12 BU - Ferrule



3201987

<https://www.phoenixcontact.com/gb/products/3201987>

## Classifications

### ECLASS

ECLASS-11.0	27400201
ECLASS-13.0	27400201
ECLASS-12.0	27400201

### ETIM

ETIM 8.0	EC000005
----------	----------

### UNSPSC

UNSPSC 21.0	27121700
-------------	----------

# AI-XL 2,5-12 BU - Ferrule

3201987

<https://www.phoenixcontact.com/gb/products/3201987>



## Environmental Product Compliance

China RoHS	Environmentally friendly use period: unlimited = EFUP-e
	No hazardous substances above threshold values

Phoenix Contact 2023 © - all rights reserved  
<https://www.phoenixcontact.com>

PHOENIX CONTACT Ltd  
Halesfield 13, Telford  
Shropshire, TF7 4PG  
01952 681700  
[info@phoenixcontact.co.uk](mailto:info@phoenixcontact.co.uk)