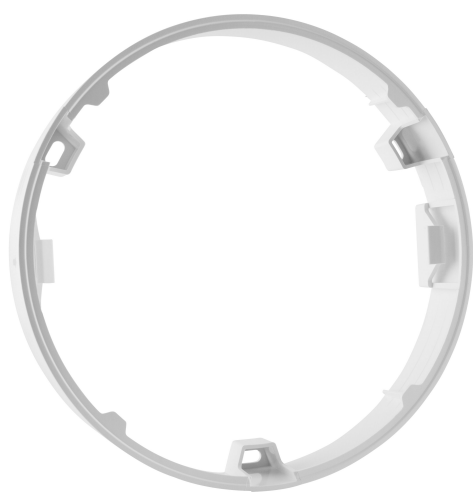


PRODUCT DATASHEET

DL SLIM FRAME DN 105 WT

DOWNLIGHT SLIM ROUND FRAME | Surface mounting frame, round shape



Areas of application

- General illumination
- Public areas
- Stairways
- Corridors
- Foyers
- Shops

Product benefits

- Cable entry on the side for electrical connection with low profil
- Easy installation thanks to included drilling template

Product features

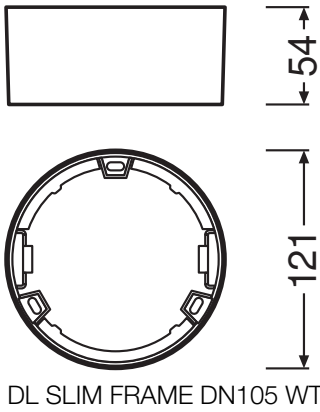
- Low mounting depth
- Robust polycarbonate casing
- Mounting accessories included



TECHNICAL DATA

Dimensions & Weight

Diameter	121,0 mm
Height	54 mm
Product weight	36.00 g



Materials & Colors

Product color	White
RAL Color (most similar)	RAL 9003

Application & Mounting

Mounting location	Ceiling / Wall
Replaceable light source	No



Certificates & Standards


Ball shot safe	No
----------------	----

Safety advice

- All electrical connections must be made by a qualified person.
- Product in protection class I. All electrically conductive, metallic housing parts that can absorb voltage during operation or during maintenance in the event of a fault must be continuously connected to the protective earthing conductor.

DOWNLOAD DATA

Documents and certificates		Document name
	User instruction / safety instructions	User Instruction DL Slim Frame Round
	On-Pack-Info	Legal Insert Downlight Slim

Tender texts		Document name
	Tender documents	DOWNLIGHT SLIM ROUND FRAME 105 WT-EN

LOGISTICAL DATA

Product code	Packaging unit (Pieces/Unit)	Dimensions (length x width x height)	Gross weight	Volume
4058075079151	Folding box 1	60 mm x 130 mm x 130 mm	84.00 g	1.01 dm ³
4058075079168	Shipping box 6	380 mm x 140 mm x 154 mm	624.00 g	8.19 dm ³

The mentioned product code describes the smallest quantity unit which can be ordered. One shipping unit can contain one or more single products. When placing an order, for the quantity please enter single or multiples of a shipping unit.

DISCLAIMER

Subject to change without notice. Errors and omission excepted. Always make sure to use the most recent release.