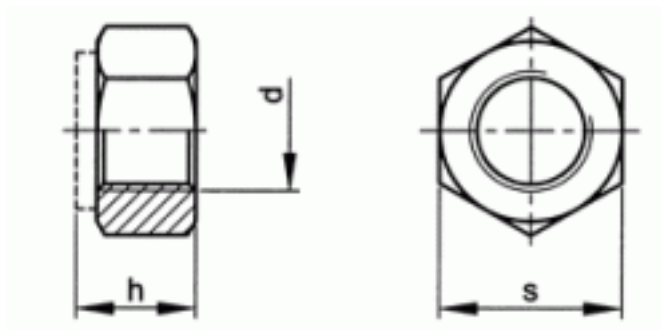


12300030001

D985 |5| ZPL HX LCKNT/INS SP M3



Brand	-
UBB Code	950355115599
UNSPSC Code	31161727
EAN Code	8715492576804
Driving features	hexagon
Thread	Metric thread
Class	≥ 5
Material	Steel
Surface treatment	Zinc plated



s	5,5
h	4
P	0,5
d	M3
Packaging (Piece)	250.0



Copyright Fabory Group