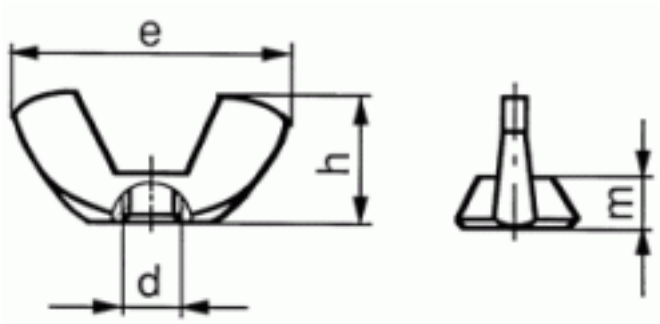


51810160001

STNL A2 WING NT LIGHT (AM) M16



Brand	-
UBB Code	950355229945
UNSPSC Code	31161717
EAN Code	8715492310569
Driving features	wing
Thread	Metric thread
Material	Stainless steel
Material technical	A2



h ≈	30,8
e ≈	65
m ≈	10,6
P	2
d	M16
Packaging (Piece )	5.0



Copyright Fabory Group