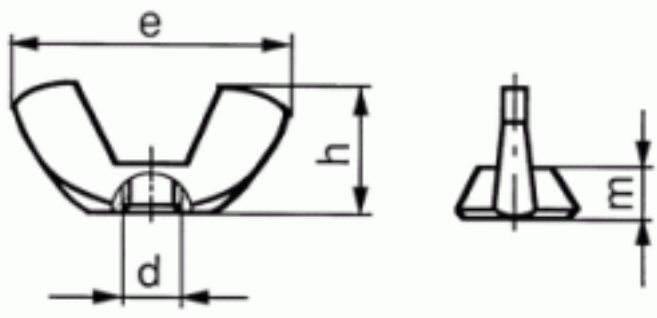


16250120001

ZPL CL.04 WING NT LIGHT (AM) M12



Brand	-
UBB Code	950355162930
UNSPSC Code	31161717
EAN Code	8715492590350
Thread	Metric thread
Class	04
Material	Steel
Surface treatment	Zinc plated
Driving features	wing



h ≈	22,5
e ≈	47,5
m ≈	7,9
P	1,75
d	M12
Packaging (Piece)	50.0



Copyright Fabory Group