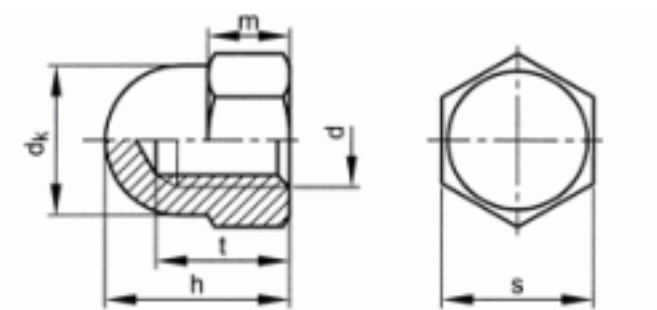


16510050001

D1587 |6| ZPL HX DOMED CAP NT M5



Brand	-
UBB Code	950355172913
UNSPSC Code	31161705
EAN Code	8715492591432
Driving features	hexagon
Thread	Metric thread
Class	6
Material	Steel
Surface treatment	Zinc plated



t	7,5
dk (max.)	7,5
h	10
s	8
m (max.)	4
P	0,8
d	M5
Packaging (Piece)	250.0



Copyright Fabory Group