

# Lampholders for General-service Incandescent and Retrofit Lamps

Fixing brackets: 8°, 14.4x39 mm

For E27 thermoplastic lampholders, one-piece

Material: PET GF, white

Oblong hole for screw M4

Weight: 1.9/4.3 g, unit: 1000 pcs.

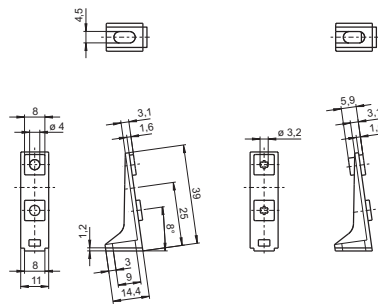
Type: 97159 fixing holes: Ø 4 mm

**Ref. No.: 108304**

Type: 97755 fixing holes for self-tapping

screws acc. to ISO 1481/7049-ST3.9-C/F

**Ref. No.: 400732**



Fixing bracket: 8°, 20x44.4 mm

For E27 thermoplastic lampholders, one-piece

Material: PET GF, white

Fixing holes: Ø 4 mm

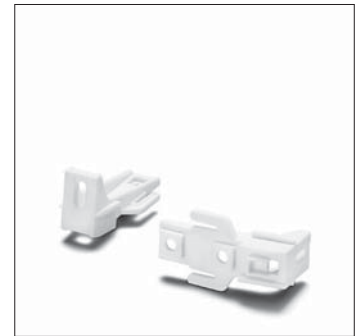
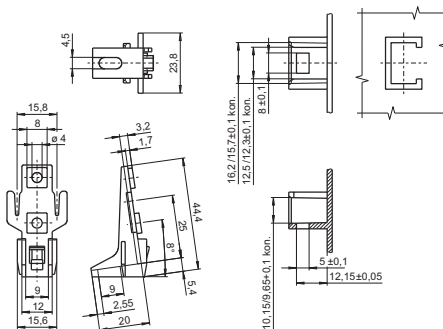
With cable holder

Oblong hole for screw M4

Weight: 3.7 g, unit: 1000 pcs.

Type: 97754

**Ref. No.: 401970**



Nipples

For E14 cover caps with moulded thread: M10x1

Cross groove for rotation stop: external

For E27 caps (see p. 341 -342), for fastening of brackets 106766 and 106802 (see p. 354)

Material: PA, white

Male nipple: M10x1, with hexagon flange

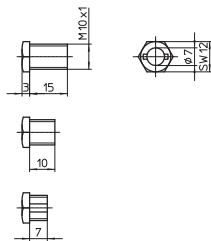
Weight: 0.5 g, unit: 1000 pcs.

Type: 09700/09703/09708

**Ref. No.: 538089** length: 15 mm

**Ref. No.: 109249** length: 10 mm

**Ref. No.: 109247** length: 7 mm



Locking nut for thread M10x1

Material: PA GF

Weight: 0.9 g, unit: 1000 pcs.

Type: 97267

**Ref. No.: 507797** white

**Ref. No.: 507798** black



Cord grip with insulating socket

For E14 and E27 lampholders

Material: PA, natural

For luminaires of protection class II

For leads H03VVH2-F 2X0.75

Weight: 0.6 g, unit: 1000 pcs.

Type: 97632

**Ref. No.: 534097**

