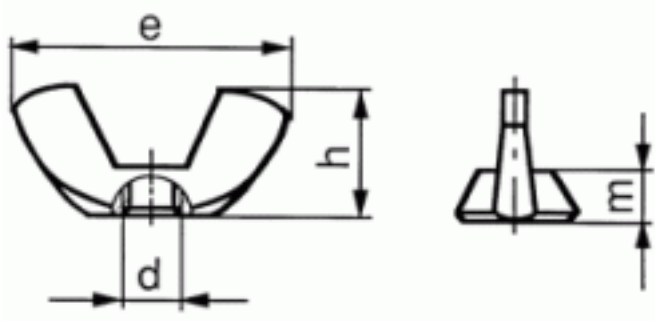


16250160001

ZPL CL.04 WING NT LIGHT (AM) M16



Brand	-
UBB Code	950355163011
UNSPSC Code	31161717
EAN Code	8715492590374
Thread	Metric thread
Class	04
Material	Steel
Surface treatment	Zinc plated
Driving features	wing



h ≈	30,8
e ≈	65
m ≈	10,6
P	2
d	M16
Packaging (Piece )	25.0



Copyright Fabory Group