

# Technical data sheet

## SLC Plafond 12W Dim IP54



### Product Details

Product name	SLC Plafond 12W Dim IP54
Product numbers	SLC1060 – 2700K SLC1061 – 3000K SLC1062 – 4000K

### Light

Lumen	2700K:1080lm 3000K: 1090lm 4000K:1140lm
Light Color	2700/3000/4000K
McAdam	< 3
Efficiency (lm/W)	90lm/W
Effect factor	0,9
Beam Angle(°)	120°

### Electrical

Mains	200-240VAC, 50Hz
Power, System	12W +/-1W

### Dimensions

Product size  $\varnothing$ : 250mm H: 53mm

### Safety

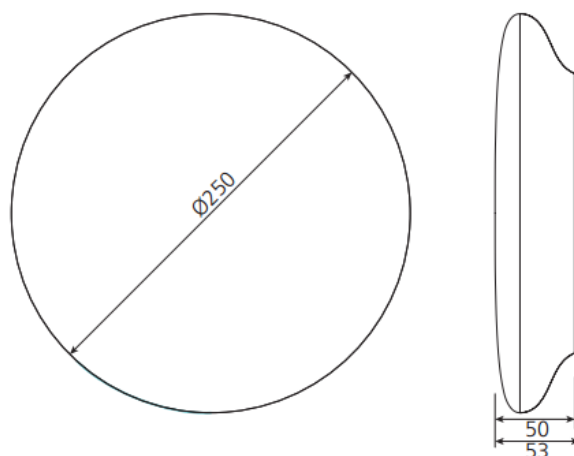
IP Rating IP54, Class II  
Installation Indoor/Outdoor  
Expected Life (L70B50) 50.000 hours  
Warranty 5 year

### Components

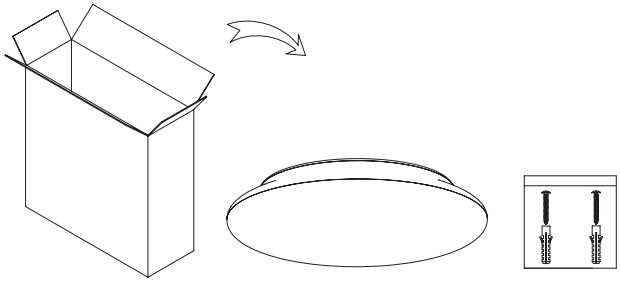
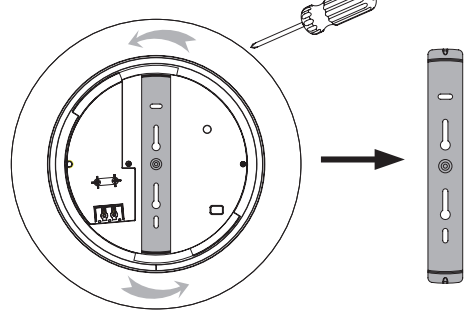
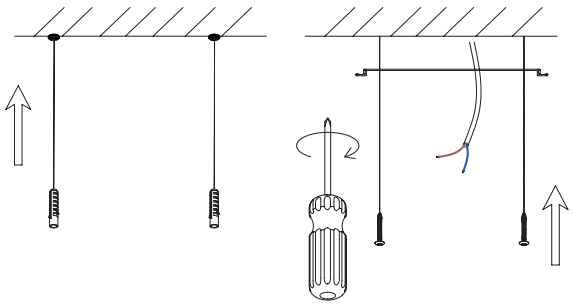

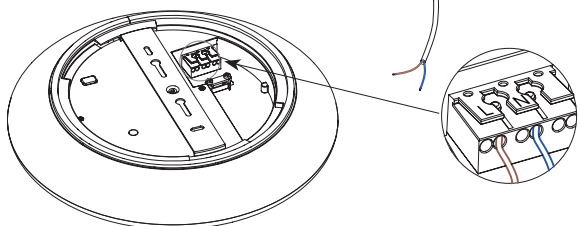
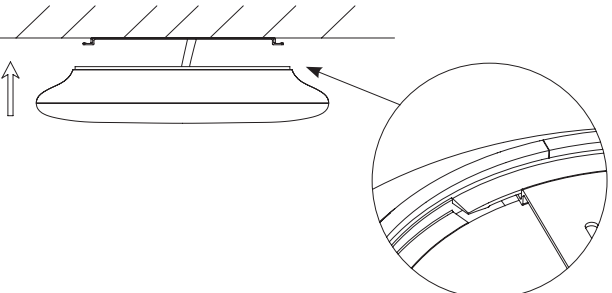
Light source, LED Genesis SMD LED, Not-changeable  
Driver Built-In  
Movement/Daylight No  
Connection Push In/Quick Connector

### Dimming

Type of dimming Trailing Edge



Installation

<p>1</p>  <p>Lamp</p> <p>Installation accessories</p>	<p>2</p>  <p>Pull out the bracket anticlockwise by screw driver, take out the bracket.</p>
<p>3</p>  <p>Knock the plastic anchor into ceiling, fix the bracket with screws on the ceiling.</p>	<p>4</p> <p>   L=BROWN N=BLUE         </p>  <p>Wire "L" "N" to terminal block.</p>
<p>5</p>  <p>Push the lamp upward and rotate it into bracket. Rotate the lamp clockwise until it is firmly fixed.</p>	<p>6</p> 