

D-SUB bus connector - SUBCON-PLUS 9/F - 2744241

Please be informed that the data shown in this PDF Document is generated from our Online Catalog. Please find the complete data in the user's documentation. Our General Terms of Use for Downloads are valid (<http://phoenixcontact.com/download>)



D-SUB connector, 9-pos. female connector, two cable entries < 35°, universal type for all systems, pin assignment: 1, 2, 3, 4, 5, 6, 7, 8, 9 to one screw connection terminal block

Why buy this product


- ✓ Separate terminal blocks for each cable
- ✓ Easy assembly thanks to knurled screws
- ✓ High transmission speed
- ✓ High level of EMC
- ✓ Flexibility in terms of cable entry selection
- ✓ Assembly under field conditions
- ✓ For universal use



RS-485



Key commercial data

Packing unit	1 pc
GTIN	 4 017918 415631
Weight per Piece (excluding packing)	59.77 g
Custom tariff number	85366990
Country of origin	Germany

Technical data

Dimensions

Max. cable diameter	10 mm
Min. cable diameter	6 mm
Width	16 mm
Height	44 mm
Length	60 mm

Ambient conditions

Ambient temperature (operation)	-20 °C ... 75 °C
Ambient temperature (storage/transport)	-25 °C ... 80 °C

D-SUB bus connector - SUBCON-PLUS 9/F - 2744241

Technical data

Ambient conditions

Altitude	5000 m (For restrictions see manufacturer's declaration)
----------	----------------------------------------------------------

General

Nominal voltage U_N	50 V
Nominal current I_N	100 mA
Bus system	RS-485
Signal	RS-485
Insertion/withdrawal cycles	> 200
SUBCON fixing screws	4-40 UNC
Tightening torque	0.4 Nm
Housing material	ABS, metal-plated
Pin assignment	all 1:1

Connection data

Connection	D-SUB connection
Number of positions	9
Connection method	D-SUB socket
Tightening torque	0.4 Nm
Connection	PCB connection
Connection method	Screw connection
Conductor cross section stranded min.	0.14 mm ²
Conductor cross section stranded max.	1 mm ²
Conductor cross section solid min.	0.14 mm ²
Conductor cross section solid max.	1.5 mm ²
Min. AWG conductor cross section, stranded	26
Max. AWG conductor cross section, stranded	18
Conductor cross section AWG/kcmil min.	26
Conductor cross section AWG/kcmil max.	16
Stripping length	5 mm
Tightening torque	0.4 Nm

Classifications

eCl@ss

eCl@ss 4.0	27140816
eCl@ss 4.1	27140816
eCl@ss 5.0	27143424
eCl@ss 5.1	27143424
eCl@ss 6.0	27143424
eCl@ss 7.0	27440209
eCl@ss 8.0	27440302

D-SUB bus connector - SUBCON-PLUS 9/F - 2744241

Classifications

ETIM

ETIM 2.0	EC001132
ETIM 3.0	EC001132
ETIM 4.0	EC001132
ETIM 5.0	EC001132

UNSPSC

UNSPSC 6.01	30211802
UNSPSC 7.0901	39121402
UNSPSC 11	39121402
UNSPSC 12.01	39121402
UNSPSC 13.2	39121402

Approvals

Approvals

Approvals

UL Recognized / cUL Recognized / cULus Recognized

Ex Approvals

Approvals submitted

Approval details

UL Recognized

cUL Recognized

cULus Recognized

Accessories

Accessories

D-SUB bus connector - SUBCON-PLUS 9/F - 2744241

Accessories

Data plug

D-SUB gender changer - VS-09-GC-ST/ST - 1652651



D-SUB contact insert, shell size 1, with nine signal contacts, contact type pin, gender changer, fixing with 4-40 UNC thread

Mounting material

Screw - SUBCON-SHORT-SCREW - 2799694



Optional mounting screw, without knurl for narrow installation conditions, slotted head, length: 40 mm, UNC 4-40 thread Supplied as standard: 1 bag of 20 screws

Screw - SUBCON-RAENDEL-SCREW-3MM - 2310387



Optional mounting screw, with knurl for mounting by hand or using a screwdriver, bladed, length: 56 mm, metric M3 thread

Screwdriver tools

Screwdriver - SZF 0-0,4X2,5 - 1204504

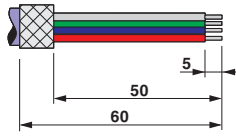


Actuation tool, for ST terminal blocks, also suitable for use as a bladed screwdriver, size: 0.4 x 2.5 x 75 mm, 2-component grip, with non-slip grip

Drawings

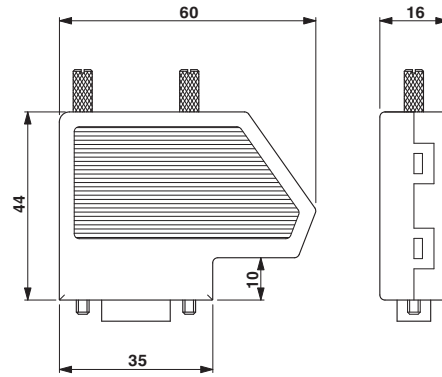
D-SUB bus connector - SUBCON-PLUS 9/F - 2744241

Schematic diagram



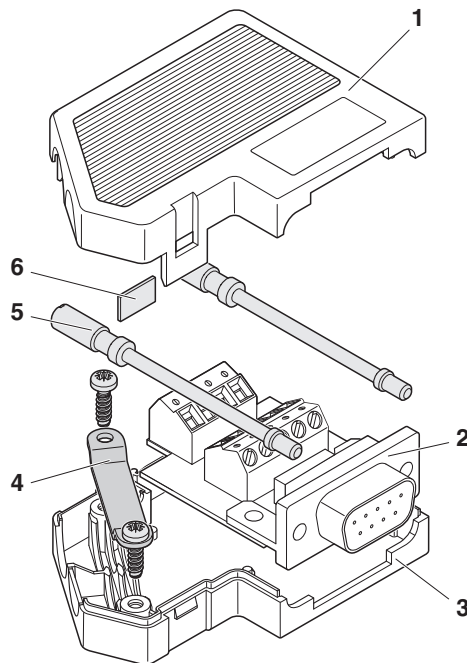
Stripping specifications

Dimensioned drawing



Dimensional drawing SUBCON-PLUS...

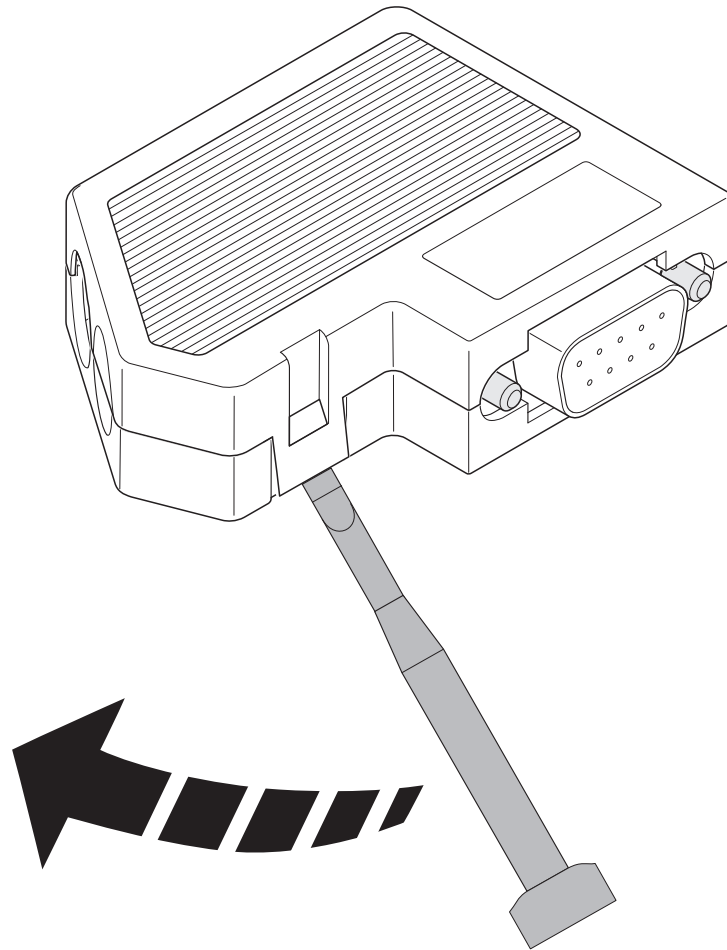
Schematic diagram



Exploded drawing

D-SUB bus connector - SUBCON-PLUS 9/F - 2744241

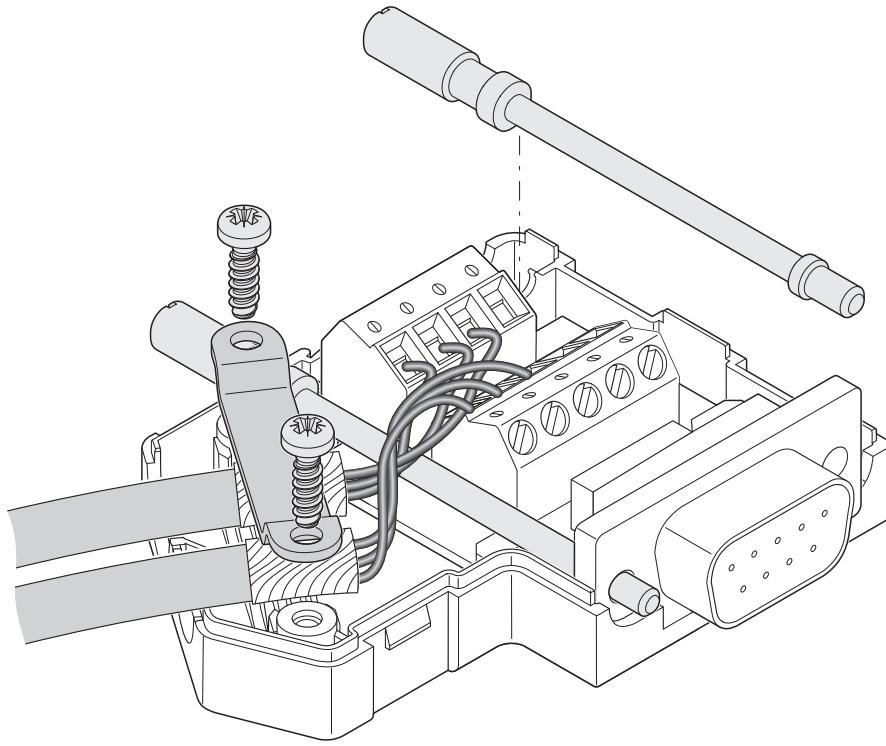
Schematic diagram



Opening the housing

D-SUB bus connector - SUBCON-PLUS 9/F - 2744241

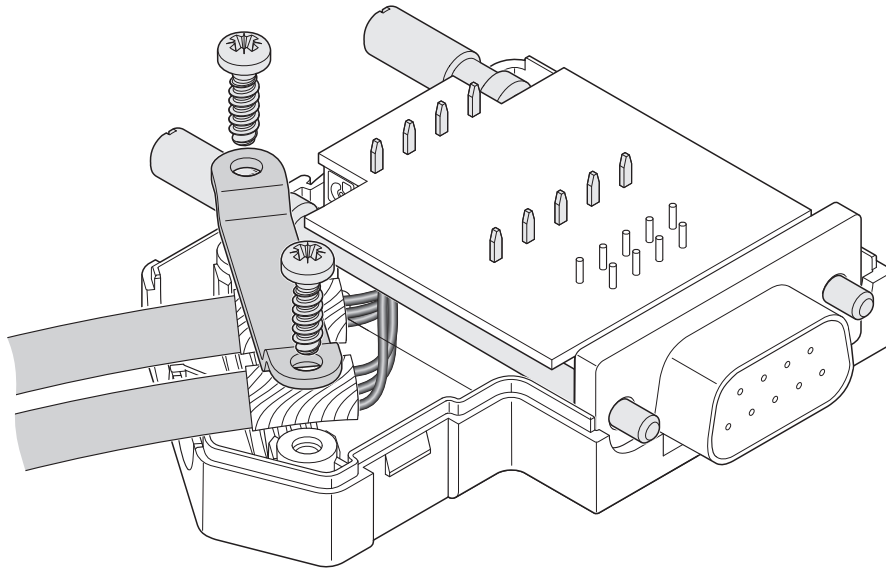
Schematic diagram



Left-hand side cable entry

D-SUB bus connector - SUBCON-PLUS 9/F - 2744241

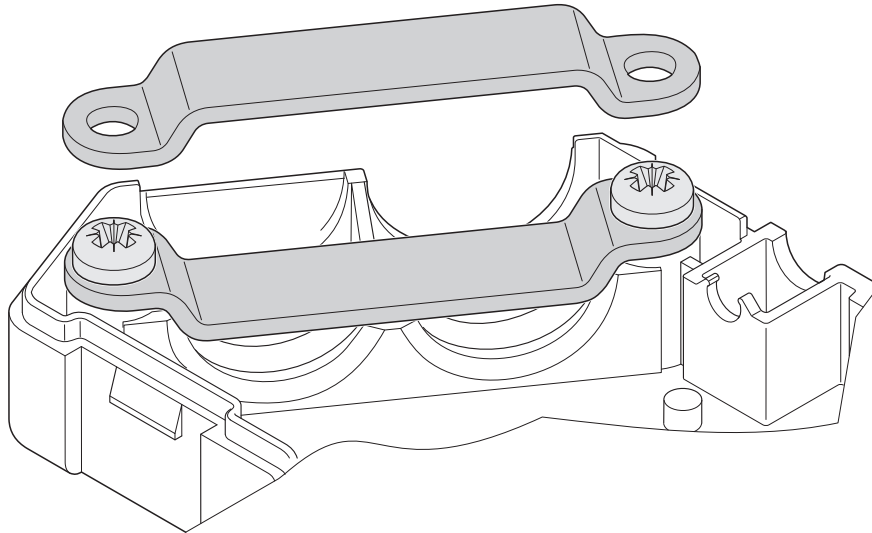
Schematic diagram



Right-hand side cable entry

D-SUB bus connector - SUBCON-PLUS 9/F - 2744241

Schematic diagram



Clip bracket