

NO – Qi Bright LED taklampe med festebrakett for hurtig og enkel montering. Monter brakett til tak, og vri lampen på plass! 960lm, 3000K, 12W.

EN – Qi Bright LED ceiling lamp with bracket for fast and easy installation. Fasten the bracket to the ceiling, twist the lamp in place. 960lm, 3000K, 12W.

DE - Qi Hellstrahlende LED Deckenleuchte mit Halterung zur schnellen und einfachen Installation. Befestigen Sie die Halterung an der Decke und drehen Sie die Lampe hinein. 960lm, 3000K, 12W.



Tilkobling/Connection/Verbindung:

220/240VAC 50Hz
12W

Lys/Licht/Light:

LED
960Lm
3000Kelvin
CRI>80

Dimmable:

Not dimmable

Beskyttelse/Protection/Schutz:

IP 20, Klasse II

Montering/Assenby/Montage:

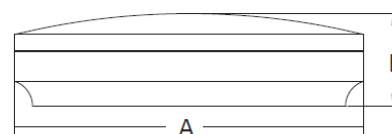
Surface mount / Ceiling box 83mm / Oberfläche
Hurtigklemme / Quick connector /
Schnellverbinder

Mål/Dimension/Abmessungen:

Ø:240mm H:65mm

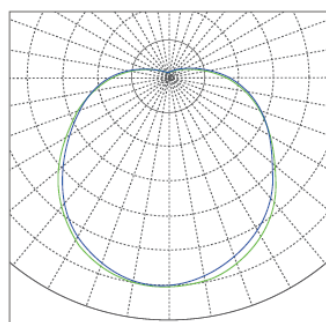


Dimensions



	A	B
MB240	240mm	65mm

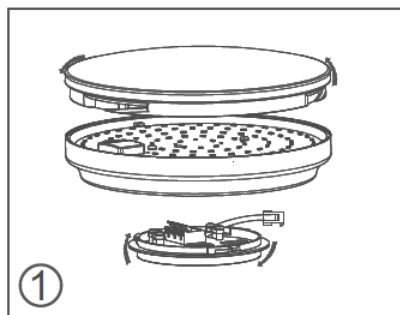
Photometrics



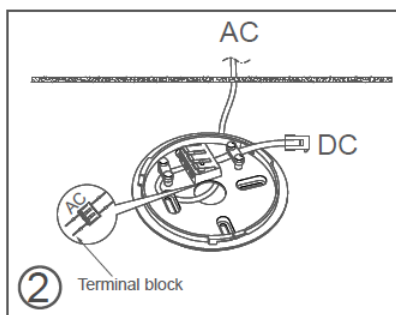
C0/C180 — C90/C270: —



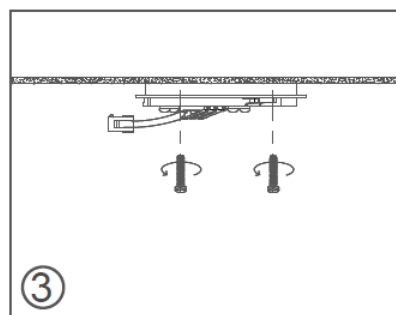
Installation



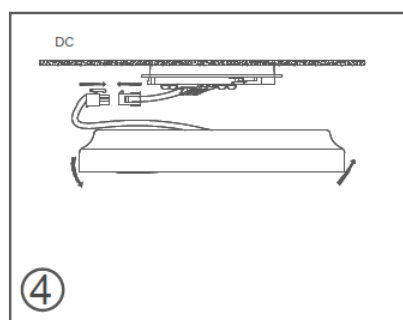
Remove the diffuser and the base plate.



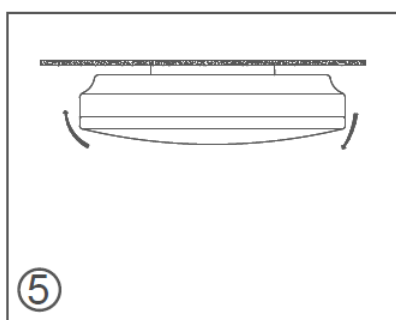
AC cables come in through centre hole, and are connected to the terminal block.



Fix the base plate on the surface with screws.



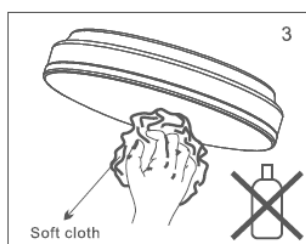
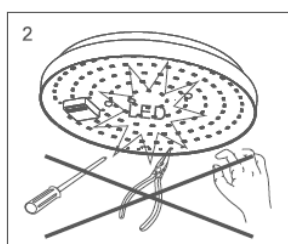
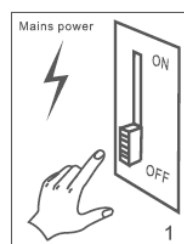
Connect the female and male connector, and then rotate fixture onto the base plate.



Put on the diffuser.

Maintenance

1. Cut off the main power first
2. Don't touch LED while maintaining or cleaning
3. Don't use chemical reagent to clean lamp.



Environmental protection: waste electrical products should not be disposed of with household waste. Please recycle where facilities exist. Check with your local authority or retailer for recycling advice.



Caution:

1. The product must be installed by professional technicians and power supply must be cut off before installation.
2. The installation wiring must be 0.75mm² at least and wired in accordance with the latest IEE electrical regulations or the national requirements.
3. Do not touch the electronic circuit and its components.
4. Contact an authorised technical service centre for any repairs possibly required use only original spare parts.
5. Do not touch LED while installing or maintaining.
6. The LED light source can not be replaced.